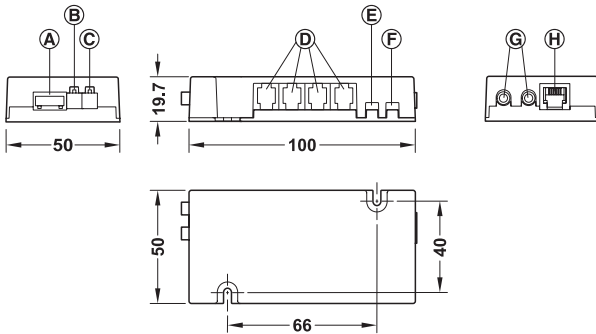


Dialock FT 200 / FT 200 CAP Furniture terminal, for controlling EFL 3 / EFL 3C furniture locks



- A Potential free input/output port
- B Power supply output port
- C Power supply input port
- D 4 x EFL 3 / EFL 3C or MLA 6P connection
- E Connection for optical signal generator (LED)
- F Connection for acoustic signal generator
- G 2 x FAN 200 antenna connection
- H MLA 8 connection

Technical data	
Technology	Tag-it™, Mifare Classic EV1, Mifare DESFire EV1 and EV2
Voltage supply	12 V, ±20 %
EFL 3 / EFL 3C or MLA 6P connections	RJ10 – socket (4x)
MLA 8 connection	RJ11 – socket (1x)
Connection for antenna	Coaxial socket for 2 FAN 200 antennas
Mains lead length	150 mm
Current consumption max. (including EFL 3)	75–690 mA
Signal input ports	e.g. for external feedback contact or reed contact for door monitoring
Relay output port	1 x change over
Number of possible Dialock keys	<1,000
Operating temperature	0–55 °C
Degree of protection	IP20
Relative humidity	10–95 %, not condensed
Approvals	CE, FCC / IC

- > Application: Intelligent furniture terminal, for controlling furniture locks
- > Version: Standard or with energy storage capacity CAP (for integrated real time clock, stored for 6 days)
- > Integration into Dialock software for convenient configuration and administration of locking points and locking authorisations
- > Prepared with BLE (Bluetooth Low Energy)
- > Direct connection of up to 4 EFL 3/EFL 3C
- > Connection of 2 antennas
- > Extension of functions possible using individual macros

> **Standard functions:**

- > Activation by holding an authorised user key in front of the antenna which unlocks the furniture lock by means of a pulse
- > **Spring bolt lock function:** Automatic locking after 3 seconds after the lock has been released (open time setting variable up to 30 seconds)
- > **Deadbolt lock function:** The lock is locked and unlocked permanently by holding an authorised user key in front of the lock
- > Acoustic feedback as key read receipt

Keyed alike furniture locks: An authorised user key simultaneously unlocks all locks that are connected to the FT 200 / FT 200 CAP furniture terminal.

Keyed to differ furniture locks:

An authorised user key unlocks only selected locks of all that are connected to the FT 200 / FT 200 CAP furniture terminal.

Several furniture locks can also be implemented in combination with the MLA 6P / MLA 8 multi-lock adapter.M

ore information on functionality can be found under the MLA 6P / MLA 8 multi-lock adapters.

One CC 200 connection cable is required for each furniture lock.

> **Optional functions:**

- > Indication of the locking status, e.g. for unlocked door, via acoustic or optical signal generators (external LED)
- > The opening time of the furniture lock can be adjusted variably to up to 30 seconds with the red and green programming card with the spring bolt lock function

Customer specific requirements (e.g. installation of an acoustic signal generator or activation of an alarm system) can be implemented with macro programmes on request

Notes concerning software operation: Please contact your responsible Häfele employee when using the Dialock software.

Notes concerning macro programmes: Macro programmes must be specified in advance using the request form. Please visit www.hafele.co.uk/dialock or contact our Dialock Assist team on 0800 171 2907

- > Comprises: 1x FT 200 furniture terminal, 1x mains lead
- > Black plastic
- > Order qty: 1 pc



Version	Cat. No.
Standard	237.59.010
With energy storage capacity CAP	237.59.011



Order separately:

- > EFL 3 / EFL 3C furniture lock > CC 200 connection cable (connection cable between EFL 3 and FT 200 / MLA 6P / MLA 8)
- > PS 4 power supply unit
- > FAN 200 antenna
- > Programming and clearing key card
- > User keys

- > Dialock software and MDU 110 data transfer unit, if required
- > A macro is required when installing an acoustic signal generator (see "optional functions")
- > The plug connector must be ordered additionally when using the potential free input/output ports
- > An individual macro must be installed initially when using the relay output port