

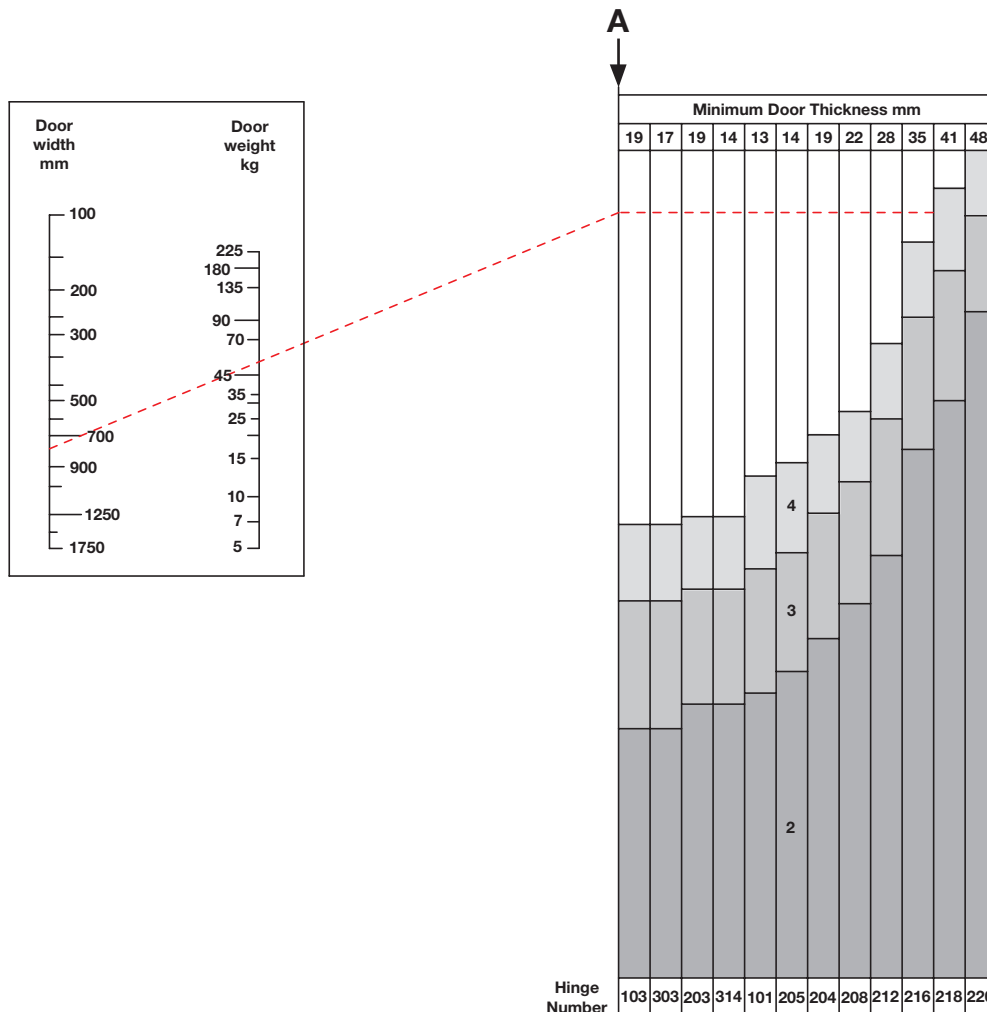
SOSS HINGES

Choosing the right soss hinge.



- > Firstly determine the width, thickness and weight of the door
- > Then draw a straight line on the chart, starting on the left hand side at the appropriate point on the Door Width column and running through the correct point on the Door Weight column to end at line A
- > At the point where your line meets line A, draw a horizontal line across the chart to the column which indicates the thickness of your door
- > Looking down the column, you will then see the number of hinges you require and, at the foot of the column, the relevant hinge number
- > Example:
A door 760 mm wide that weighs 90 kg and has a thickness of 41 mm would require four Soss hinges No. 218. The dotted red line shows how this result was determined from the chart

- > Soss hinges are shown on page 157
- > Routing jigs for Soss hinges are shown on page 155



Note: Soss hinges 103, 303, 314, 212, 216, 218 and 220 are not shown in this catalogue. Information on request

Recommended router cutters and guide bushes for each SOSS hinge type are listed below (not supplied)

Hinge type	Two flute, long shank router cutter*	Guide bush*
101	5.0 mm	12 mm
203	9.0 mm	16 mm
204	9.0 mm	16 mm
208	12.7 mm	20 mm
212	12.7 mm	20 mm
216	12.7 mm	20 mm
218	12.7 mm	20 mm
220	12.7 mm	20 mm

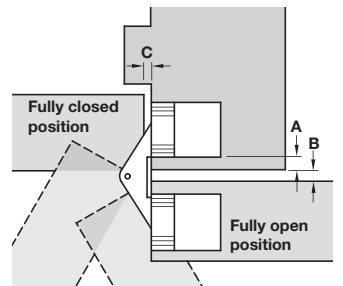
Suggested routing depths

Hinge type	Shallow mortise*	Deep mortise
101	5.5 mm	13 mm
203	5.0 mm	20 mm
204	6.4 mm	20 mm
208	7.0 mm	25 mm
212	9.5 mm	29 mm
216	12.0 mm	39 mm
218	10.3 mm	43 mm
220	11.9 mm	51 mm

*Adjust this dimension to suit your application and always try a test hinge assembly with your selection of cutters and guide bushes prior to production

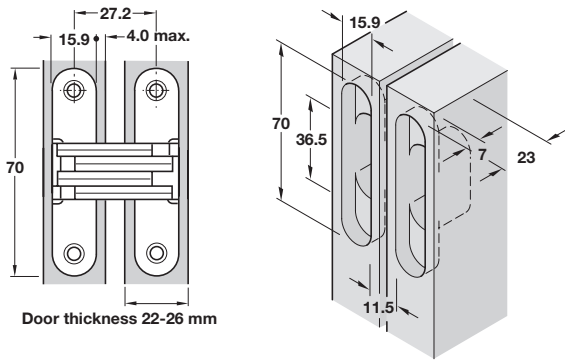
Soss hinge	A	B (mm)	C
101	2.4	2.7	0.8
203	3.2	2.7	0.8
204	3.2	2.7	1.6
208	4.0	3.5	1.2
212	4.8	4.0	1.2
216	6.4	5.5	1.6
218	6.4	9.5	1.2
220	7.5	12	1.6

The table above gives hinge clearances. Measurement A can be reduced as required but must not be exceeded. The jig is set for routing measurement A at its maximum



This diagram above shows a section through a wood mounted hinge assembly in its fully opened position. It gives the unique elliptical path travelled by a SOSS hinge from closed at 0° to its full 180° opening

Soss hinge 208

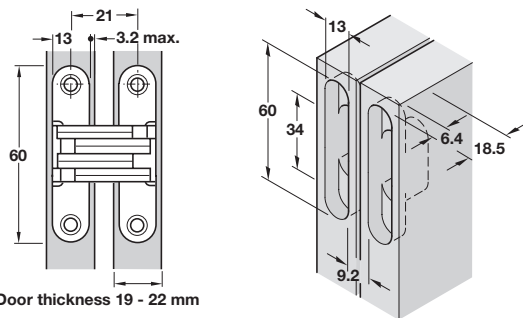


- > For door thickness 22-26 mm
- > Zinc alloy body, steel or stainless steel links
- > Order qty: 1 pc



Finish	Steel links	Stainless steel links
Brass-plated	341.07.545	341.07.548
Nickel-plated	341.07.745	341.07.748

Soss hinge 204

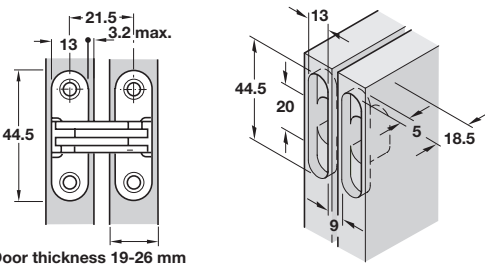


- > For door thickness 19-22 mm
- > Zinc alloy body, steel or stainless steel links
- > Order qty: 1 pc



Finish	Steel links	Stainless steel links
Brass-plated	341.07.536	341.07.538
Nickel-plated	341.07.736	341.07.738

Soss hinge 203

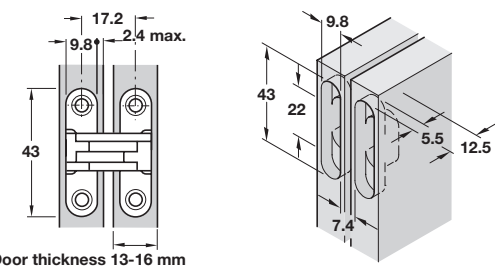


- > For door thickness 19-26 mm
- > Zinc alloy body, steel links
- > Order qty: 1 pc



Finish	Cat. No.
Brass-plated	341.07.527
Nickel-plated	341.07.727

Soss hinge 101

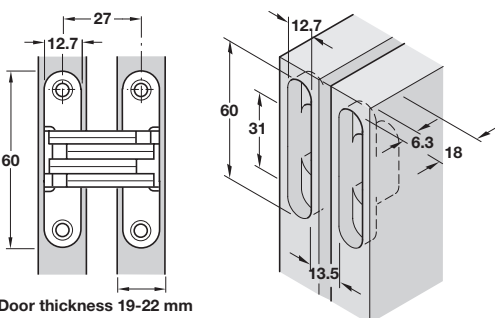


- > For door thickness 13-16 mm
- > Zinc alloy body, steel links
- > Order qty: 1 pc



Finish	Cat. No.
Brass-plated	341.07.518
Nickel-plated	341.07.718

Soss hinge 205



- > For metal door installation only
- > For door thickness 19-22 mm
- > Zinc alloy
- > Order qty: 1 pc



Finish	Cat. No.
Nickel-plated	341.18.703