

GRASS TIOMOS H HIDDEN HINGES FOR WOODEN DOORS

9

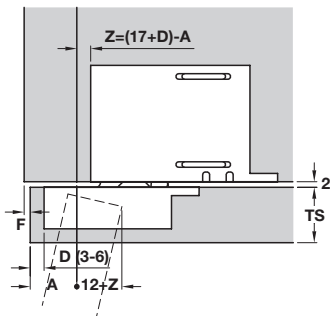
Furniture Hinges and Flap Fittings: Hinges



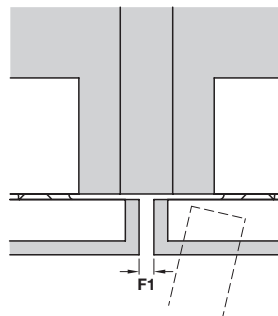
- > Concealed hinge system
- > Opening angle 105°
- > Load bearing capacity up to 12 kg
- > Max. door size 2100 x 600 mm
- > Integrated soft close damper
- > 3D adjustment
- > Order fixing screws separately



Overlying



Half overlay



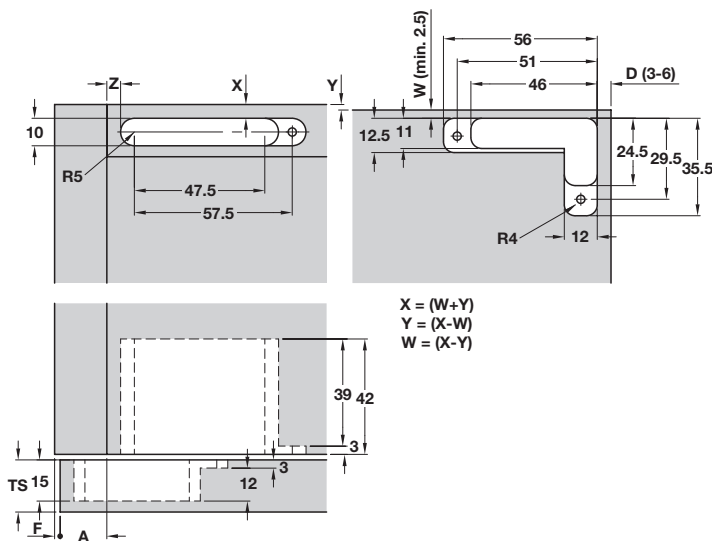
Minimum gap width (F)

D	Door thickness							
	18	20	22	24	26	28	30	32
3	0	0.2	0.5	0.9	1.4	2.1	3.1	4.7
4	0	0.2	0.5	0.9	1.4	2.0	2.9	4.2
5	0	0.2	0.5	0.8	1.3	2.0	2.8	3.9
6	0	0.2	0.5	0.8	1.3	1.9	2.7	3.7

Minimum gap width (F1)

Door thickness								
18	20	22	24	26	28	30	32	
2.0	2.0	2.2	2.4	2.5	2.6	2.6	2.5	

Installation dimensions

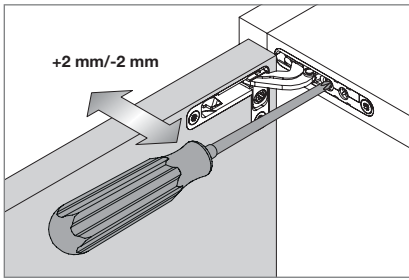


Drilling dimensions for door overlay (A)

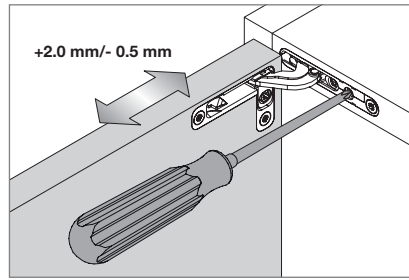
Z	D			
	3	4	5	6
0	20	21	22	23
1	19	20	21	22
2	18	19	20	21
3	17	18	19	20
4	16	17	18	19
5	15	16	17	18
6	14	15	16	17

TOH TECHNOLOGY 2018, © Häfele U.K. Ltd 2018. Dimensional data not binding. We reserve the right to alter specifications without notice.

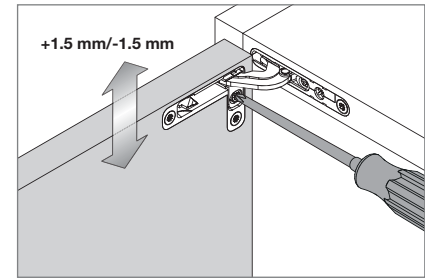
Lateral adjustment



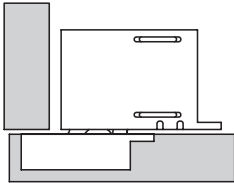
Depth adjustment



Vertical adjustment



Grass Tiomos H hidden hinge, for wood doors



- > For cabinet thicknesses min. 18 mm
- > For door thicknesses from 18 mm
- > Door rebate depth: 15 mm
- > Cabinet rebate depth: 42 mm
- > Zinc alloy
- > Set consists of:
 - 2x hinges
 - 2x cover caps
 - Fixing screws
- > Order qty: 1 set



348.21.500 REPLACED BY 348.21.501
348.21.510 REPLACED BY 348.21.511



Finish	Cat. No.
Nickel-plated	348.21.501
Tiomos Night - Anthracite finish	348.21.511