

MATRIX BOX P 50 KG DRAWER SETS, BULK (6) PACKED

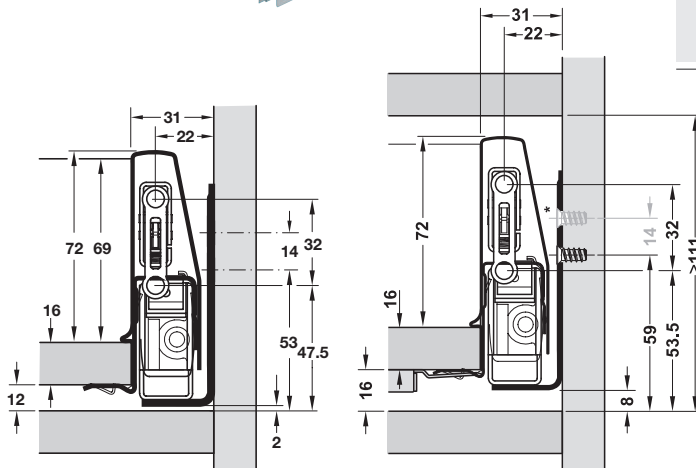
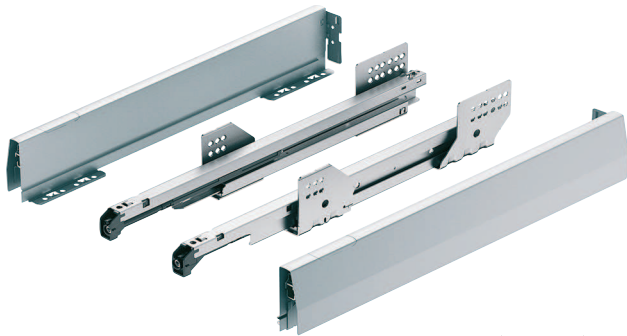
Standard drawer, 92 mm high. Push-to-open fitting available for 450 and 500 mm length drawer sides.



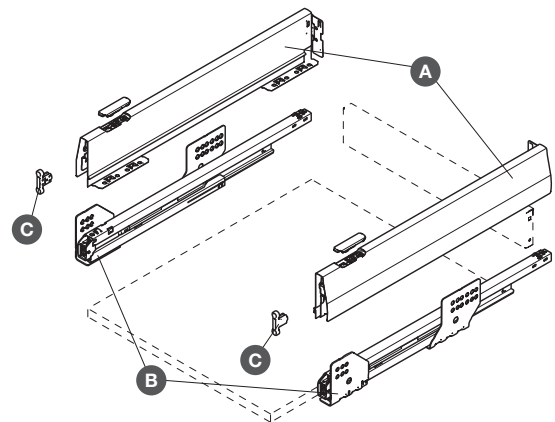
- > Quick to assemble and install
- > Standard drawer suits either 16 or 18 mm drawer base and rear panel
- > Synchronised runners are full extension with Smuso integrated soft and self-closing mechanism on both sides
- > Vertical inner sides for optimum capacity
- > Drawer fronts can be adjusted from above by means of the front fixing bracket, neatly concealed by a trim cap
- > Drawer fronts can be removed without tools
- > Each set includes:
 - A 1 pair drawer sides
 - B 1 pair runners
 - C 2 front fixing brackets, screw fixing
- > Matrix Box P standard drawer sides, 92 mm high
 - With integrated rear panel holder, requires 16 or 18 mm drawer base and rear panel (not included)
 - Plastic cover caps included
 - Powder coated steel
- > Full extension synchronised runners
 - Load carrying capacity 50 kg per pair
 - With integrated Smuso soft-closing and self-closing mechanisms
 - Galvanized steel
- > Order fixing screws separately
- > Order qty: Multiples of 6 sets

10

Drawer Side Systems, Drawers and Runners: Drawer Side Systems



With Push-to-Open Soft-Close



Order push-to-open fitting separately, if required; Cat. No. 553.50.995, shown on page 10.29B. Not suitable for 270/350/400 mm drawer sides.



Installation information is shown on page 20-23

Matrix Box P 50 kg standard drawer set, bronze



- > Suits 16 mm drawer base and rear panel
- > Grey powder coated drawer sides
- > Order qty: Multiples of 6 sets



Length	Cat. No.
270 mm	513.04.540
350 mm	513.04.542
400 mm	513.04.543
450 mm	513.04.544
500 mm	513.04.545

TCH TECHNOLOGY 2018, © Häfele U.K., Ltd 2018. Dimensional data not binding. We reserve the right to alter specifications without notice.