

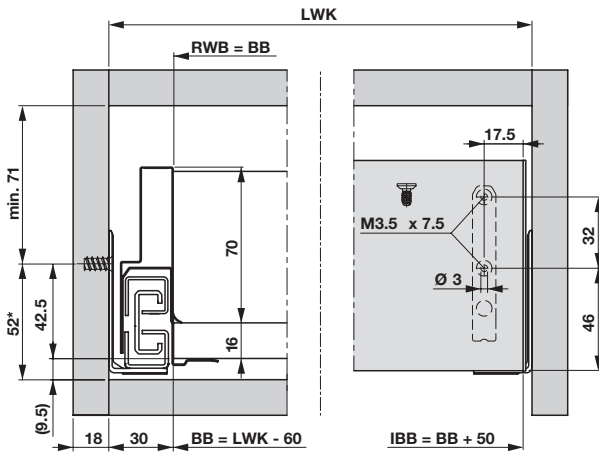
GRASS NOVA PRO SCALA INTERNAL DRAWERS

Front panel sets and separate components to create Nova Pro Scala internal drawers.

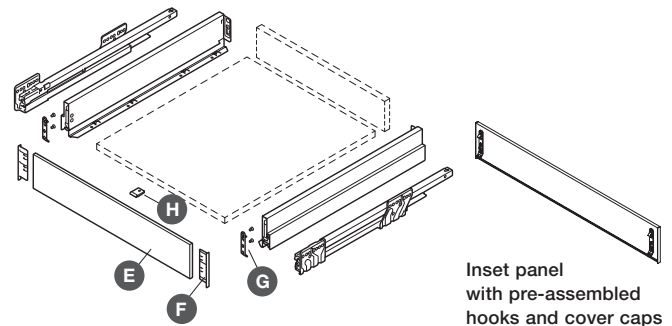


Create bespoke width internal drawer fronts using the cut to length internal drawer fronts and components, shown on page 73

Grass Nova Pro Scala 90 mm internal drawer panel



* Recommendation/Minimum dimension: 49.5 mm/Tipmatic Soft-close: 58 mm



- E** Internal panel
- F** Cover caps
- G** Hooks for screw fixing
- H** Front base connector (not included, order separately)

- > Pre-assembled internal drawer panel
- > Consists of:
 - E 1 pc internal panel, 95 mm high x 8 mm thick
 - F 1 pair cover caps
 - G 2 pcs hook for screw fixing
- > Order qty: 1 pc

GRASS
25
YEAR
WARRANTY



Order front base connector **H** separately for internal drawers and pull outs with width 600 mm and above, shown on page 73

**YOU
ALSO
NEED:**

- 90 MM HIGH DRAWER SET**
Pages 65
- or CRYSTAL PLUS DRAWER SET**
Page 69

For cabinet width	Panel width	Silver	Stone
300 mm	254 mm	551.89.921	551.89.521
400 mm	354 mm	551.89.923	551.89.523
450 mm	404 mm	551.89.924	551.89.524
500 mm	454 mm	551.89.925	551.89.525
600 mm	554 mm	551.89.926	551.89.526
800 mm	754 mm	551.89.927	551.89.527
900 mm	854 mm	551.89.928	551.89.528
1000 mm	954 mm	551.89.929	551.89.529

PAGE AMENDED
20.02.19/1