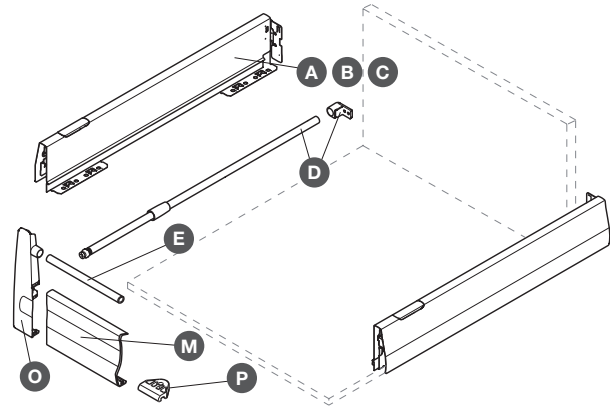


- M** Front panel for internal drawer
- N** Front panel holder for standard drawers
- P** Matrix Box P stabilising plate



- A** Metal drawer sides
- B** Drawer runners
- C** Front fixing brackets
- D** Side rail set
- E** Cross rail
- M** Front panel for internal drawer
- O** Front panel holder for internal pan drawers
- P** Matrix Box P stabilising plate

M-STAX larder unit with drawers sets



- > Sets consist of:
 - 1x Assembled Matrix Box P standard drawer
 - 3/4x Assembled Matrix Box P pan drawers
 - 1x Assembled internal standard drawer front
 - 3/4x Assembled internal pan drawer fronts
- > Minimum installation height:
 - Standard drawer min. 105 mm
 - Pan drawer min. 188 mm
- > Order qty: 1 set



Please note: wide angle zero protrusion hinges must be used



Drawers included	Grey	Anthracite
For 500 mm cabinet width		
1x standard, 3x pan	554.03.365	554.28.365
1x standard, 4x pan	554.03.366	554.28.366
For 600 mm cabinet width		
1x standard, 3x pan	554.03.367	554.28.367
1x standard, 4x pan	554.03.368	554.28.368