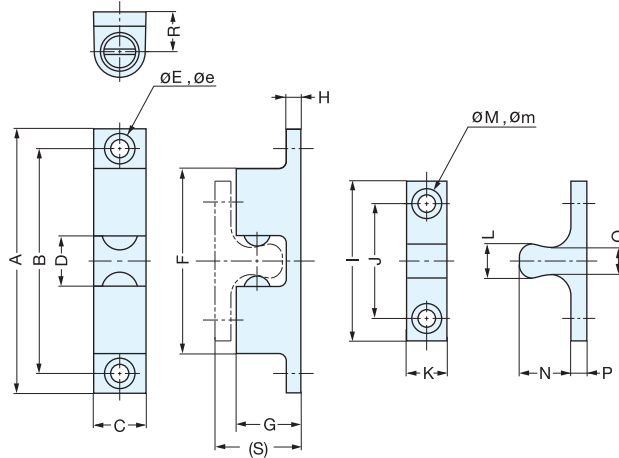
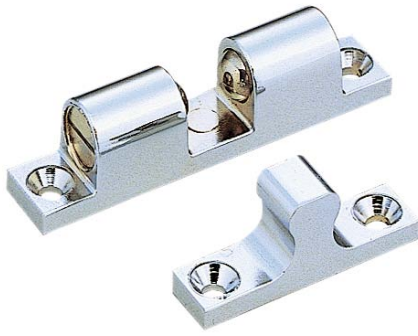


STAINLESS STEEL TENSION CATCH



BCTS

• 316 stainless steel catch for harsh environments.



Item No.	A	B	C	D	E	e	F	G	H	I	J	K	L	M	m	N	P	Q	R	(S)
BCTS-40	43 (1-11/16")	35	8	5.9	3.2	6.2	28.4	7.5	2.5	25 (63/64")	16	7.5	4.5	3.2	6.2	8.5	2.5	2.7	6	13.5
BCTS-50	50 (1-31/32")	40	10	7.5	4.2	8.2	31.5	9.3	2.9	30 (1-3/16")	20	9	6	4.2	8.2	10.3	2.9	3.8	7.2	16.1
BCTS-70	70 (2-3/4")	60	13	13			51	13	4	42 (1-42/64")	30	10.5	10			15	4	8	10.5	23

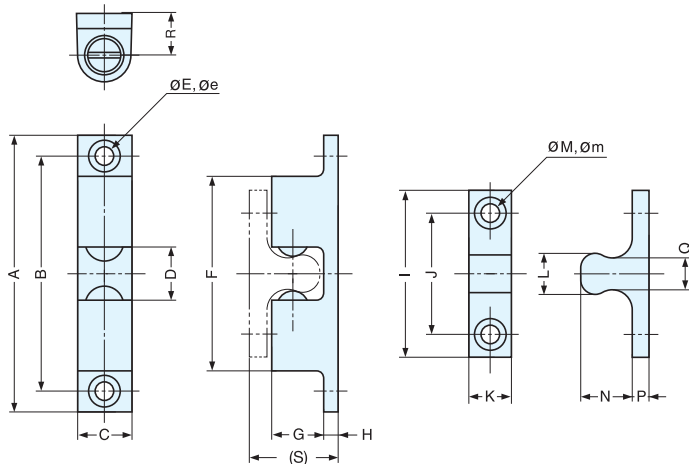
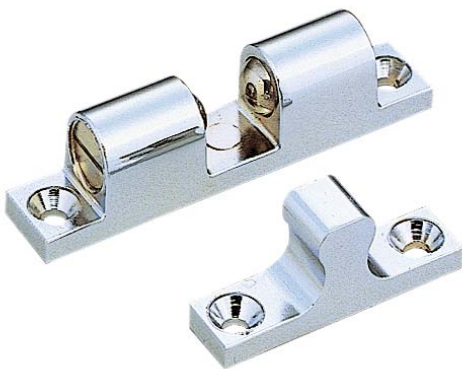
Item No.	Push in Force (kg)	Pulling Force (kg)	Weight (g)	Box (pcs)	Carton (pcs)	Material	Finish
BCTS-40	2.0 (4.4 lbs)	1.3 (2.9 lbs)	18	50	600	SCS14 Stainless Steel (Similar to SUS316)	Polished
BCTS-50	2.3 (5.0 lbs)	1.8 (3.9 lbs)	30				
BCTS-70	5.7 (12.5 lbs)	3.9 (8.5 lbs)	83	25	300		

*Spring material:304 Stainless Steel.
*Tension force is not adjustable.

TENSION CATCH



BCT



Item No.	A	B	C	D	E	e	F	G	H	I	J	K	L	M	m	N	P	Q	R	(S)
BCT-40	42.5(1-43/64")	35	8	6.3	3.2	6.2	26.7	7.5	2.5	25 (63/64")	16	7.5	5.5	3.2	6.2	8.8	2.5	3.7	6.5	14 (35/64")
BCT-50	50 (1-31/32")	40	10	8.4	4.2	8.2	29.8	9.5	3	30 (1-3/16")	20	9	7.3	4.2	8.2	9.8	2.5	4.7	7.4	16 (5/8")
BCT-70	70 (2-3/4")	60	13.5	13			49	13	4	42 (1-42/64")	30	10.5	11			14.2	3	8.2	11	21.2 (27/32")

Item No.	Push in Force (kg)	Pulling Force (kg)	Weight (g)	Box (pcs)	Carton (pcs)	Material	Finish
BCT-40	4.4 (9.7 lbs)	3.0 (6.6 lbs)	16	100	400	Zinc Alloy	Chrome
BCT-50	4.1 (9.0 lbs)	3.3 (7.3 lbs)	26				
BCT-70	4.6 (10.1 lbs)	3.5 (7.7 lbs)	70	50	200		

*Tension force is not adjustable.