

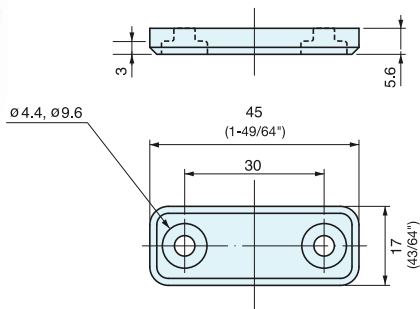
SEALED MAGNETIC CATCH



MC-JM45



PAT.P



- Hermetically sealed, highly corrosion resistant.
- No metal-to-metal contact, ideal for cleanroom application.
- Strong magnetic force.
- Optional Counter Plate:
Stainless Steel - MC-JM49, AS-68
Plastic Sealed - MC-JMP45

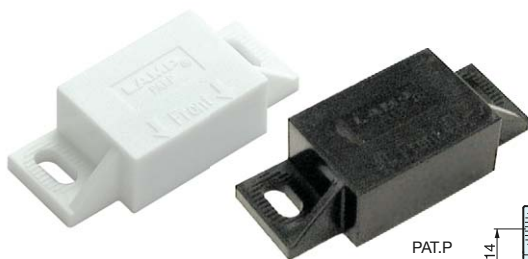
Item No.	Magnetic Force (kg)	Weight (g)	Box (pcs)	Carton (pcs)
MC-JM45WT	3 (6.6 lbs)	8.5	100	1000
MC-JM45BL	3 (6.6 lbs)	8.5	100	1000

Part Name	Material	Color
Body	Polypropylene	White/Black
Magnet	Neodymium	-

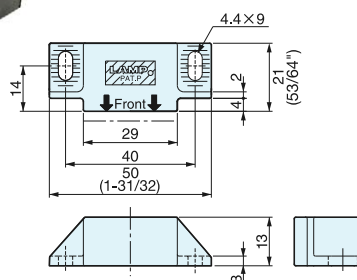
SEALED MAGNETIC CATCH



MC-JM50



PAT.P



- Hermetically sealed, highly corrosion resistant.
- No metal-to-metal contact, ideal for cleanroom application.
- Strong magnetic force.
- Optional Counter Plate:
Stainless Steel - MC-JM49, AS-68
Plastic Sealed - MC-JMP45

Item No.	Magnetic Force (kg)	Weight (g)	Box (pcs)	Carton (pcs)
MC-JM50/WT	3 (6.6 lbs)	21	24	480
MC-JM50/BL				

Part Name	Material	Color
Body	Polyacetal	White/Black
Magnet	Neodymium	-

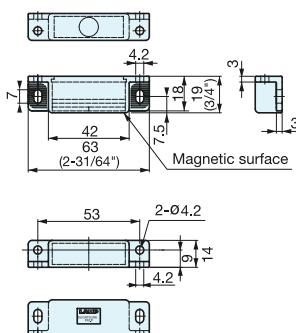
SEALED MAGNETIC CATCH



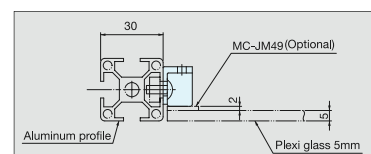
MC-JM63G



PAT.P



- Hermetically sealed, highly corrosion resistant.
- No metal-to-metal contact, ideal for cleanroom application.
- Strong magnetic force.
- Optional Counter Plate:
Stainless Steel - MC-JM49, AS-68
Plastic Sealed - MC-JMP45



Installation

Item No.	Magnetic Force (kg)	Weight (g)	Box (pcs)	Carton (pcs)
MC-JM63G-15	1.5 (3.3 lbs)	20	50	500
MC-JM63G-30	3 (6.6 lbs)			
MC-JM63G-50	5 (11 lbs)			

Part Name	Material	Color
Body	Polyacetal	Light Grey
Magnet	Neodymium	-