

DOOR CHAIN



CS

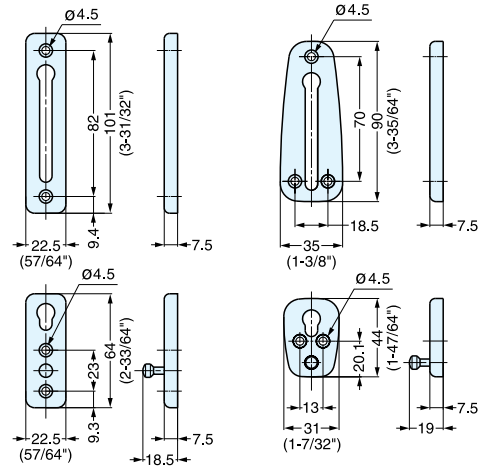
CATCHES & LATCHES

DOOR CHAINS / LATCH HASPS



CS-1000

CS-2000



CS-1000

CS-2000

Item No.	Weight (g)	Box (pcs)	Carton (pcs)
CS-1000	115	15	150
CS-2000	120		

Material	Finish
304 Stainless Steel	Satin

HASP (W/LATCH)

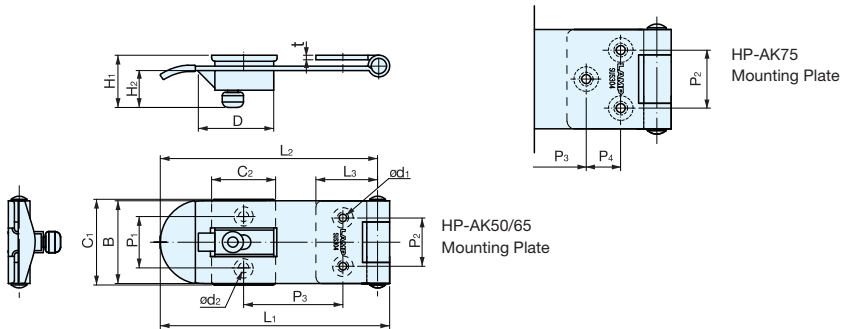


HP-AK



PAT.P

- HASP with built-in latch.
- Snap on the flap to keep latch closed.
- Slide the latch knob to release.
- Flap is spring loaded in open direction.
- Plastic cap on end to soften the opening sound.



HP-AK75 Mounting Plate

HP-AK50/65 Mounting Plate

Item No.	L ₁	L ₂	L ₃	B	P ₁	P ₂	P ₃	P ₄	H ₁	H ₂
HP-AK50	51 (2-1/64")	48	13	22.2 (7/8")	13.5	12	19	-	16.6	11.2
HP-AK65	66 (2-19/32")	63	19	24.2 (61/64")		14	28	-		
HP-AK75	76 (2-63/64")	72	24.8	27.4 (1-3/64")	17	16	35	9.5	17.5	12.2

Material	Finish
304 Stainless Steel	Polished
PVC (Cover)	Black

Item No.	C ₁	C ₂	D	t	d ₁	d ₂	Weight (g)	Box (pcs)	Carton (pcs)
HP-AK50	23 (29/32")	18	20.5	1.2	3	2.3	22	25	250
HP-AK65					3.2	3.3	35	20	200
HP-AK75					3.8	3.4	48	15	150