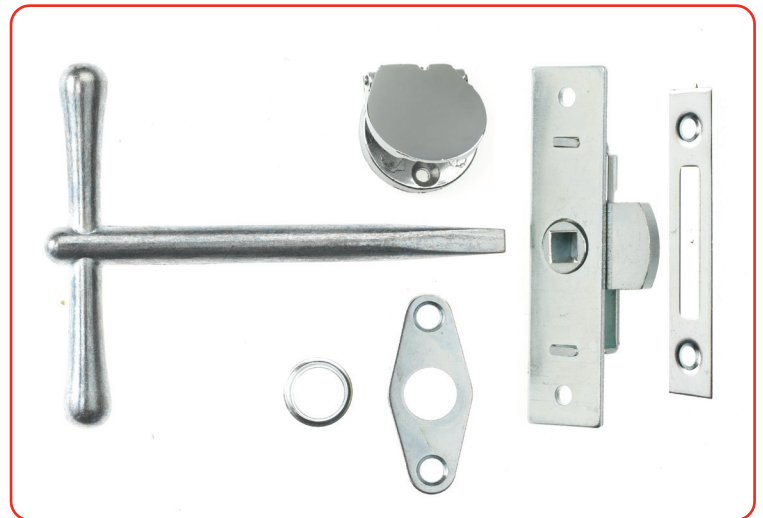


Rim Budget Lock



Features

- Simple locking device designed for numerous applications
- Adequate locking device for securing doors where high security is not required
- Simple construction makes them inexpensive, so they can be used in multiple quantities for securing panels and all types of doors



Rim Budget Lock

Ordering Details

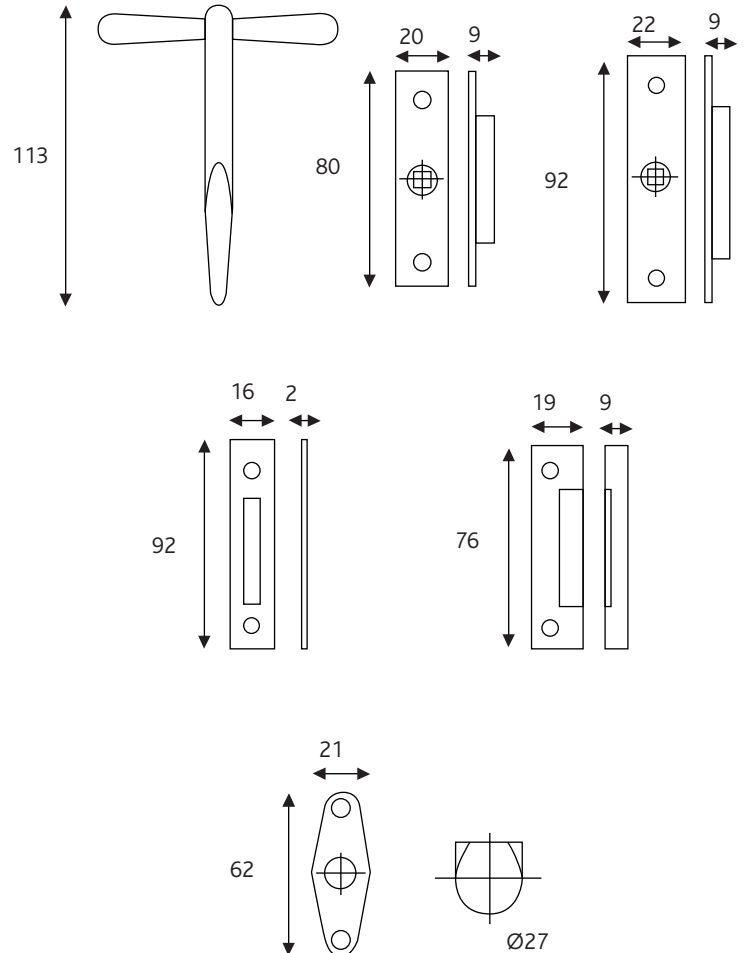
Product	Part No.
Rim Budget Locks	
79mm Double Handed	415-96
92mm Double Handed	417-96
Escutcheon Plates	
Brass Finish	442-36
Chrome Finish	442-66
Bright Zinc Finish	442-96
Die-Cast Spring Hinged Escutcheon	
Chrome Finish	441-66
Strikers	
Angled Striker - Bright Zinc Finish	450-96
Flat Striker - Bright Zinc Finish	451-96
Tubular Ferrules	
Bright Zinc Finish	452-96
Steel T-Key	
114mm Bright Steel Finish	501-96

Maintenance

The pivot point should be lightly lubricated twice a year and the surface cleaned with a soft cloth to remove any dust or grime. The product should be periodically adjusted and the fixings tightened to ensure a satisfactory operation

Packaging

Rim Budget Lock:
1 per pack.



All dimensions are in mm.

ERA reserves the right to change specification without notice.
It is the responsibility of the window manufacturer to ensure that the finished product meets any required safety and performance specification