

LEVER HANDLE / HINGE FOR GLASS DOOR



ZL-1601, ZL-1702

Zwei L

Zwei L represents the very pinnacle of ultra-premium Japanese hardware design. Contrasting bands of mirror finish and lustrous satin on a faceted profile give jewel like highlights which flatter any architectural space.

Zwei L®



Video Link



ARCHITECTURAL
DOOR HARDWARE

FOR GLASS DOORS

LEVER HANDLE / HINGE FOR GLASS DOOR



Hinge ZL-1702 (P.463)

Suitable Glass : Tempered Glass
 Door Thickness : 8,10 mm
 Max Door Width : 900 mm
 Max Door Weight : 50 kg
 Material : SUS316
 Finish : Zwei L Finish

Features
 Superior finish of Mirror/Satin.



P.715



P.715



ZL-1103+ZL-1601-1

P.715

Lever Handle

Item Code	Item Name	Weight	Box
260-177-001	ZL-1101	1.2 kg	1 pair

Lever Handle

Item Code	Item Name	Weight	Box
260-177-002	ZL-1102	1.1 kg	1 pair

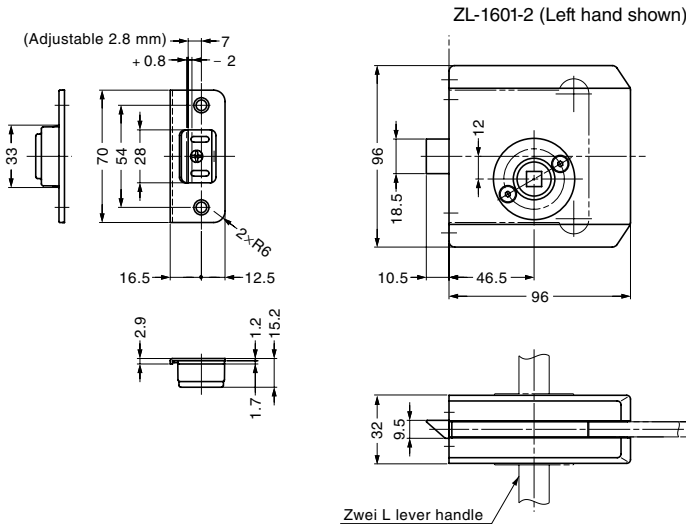
Lever Handle+Case Latch ZL-1601

Item Code	Item Name	Weight	Box
260-025-580	ZL-1103+ZL-1601-1	2.8 kg	1 set
260-025-581	ZL-1103+ZL-1601-2		

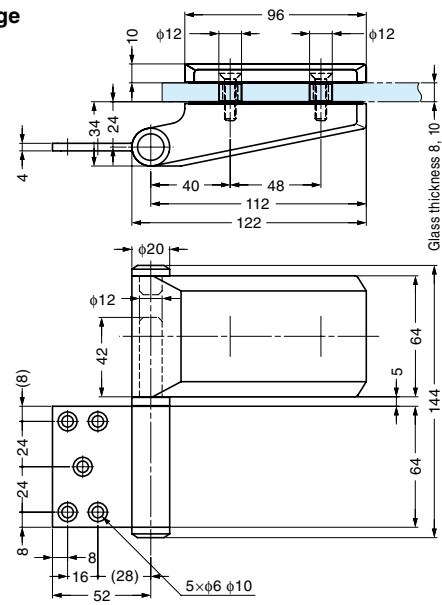
2 handles and 1 case latch included per set.



Case Latch



Hinge



Parts Included

- Countersunk head screw 3.5x22 (SUS)
- Screw M4x12 (SUS)
- Allen key

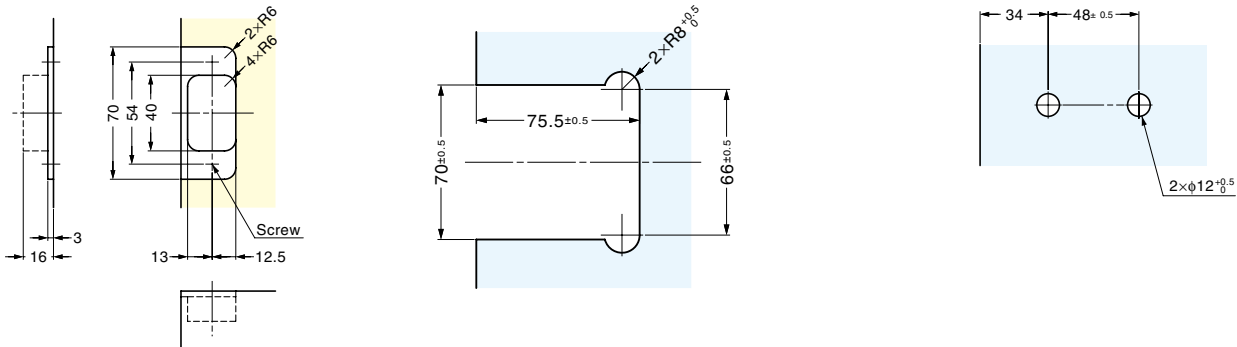
Parts Included

- Countersunk head screw 4.8x32 (SUS)
- Screw M5x16 (SUS)
- Allen key

Item Code	Item Name	Type
260-177-000	ZL-1601-1	Right hand
260-170-783	ZL-1601-2	Left hand

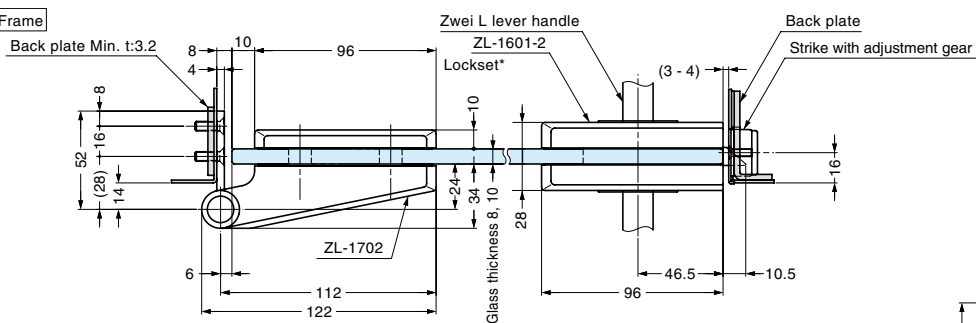
Item Code	Item Name
170-183-400	ZL-1702

Cut Out Dimensions

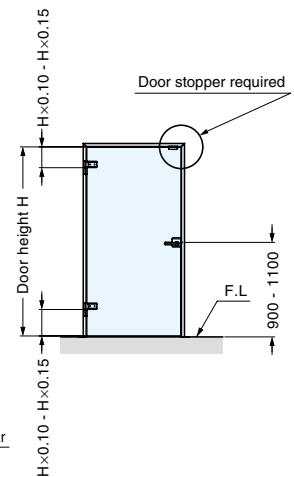
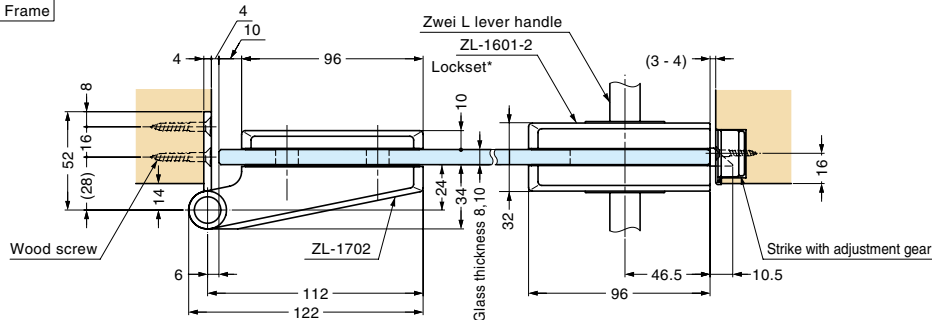


Installation Right hand opening is shown.

On Metal Frame



On Wooden Frame



* Use ZL1601-1 for right hand opening.