

Zwei L STAINLESS STEEL DOOR STOPPER



ZL-1803

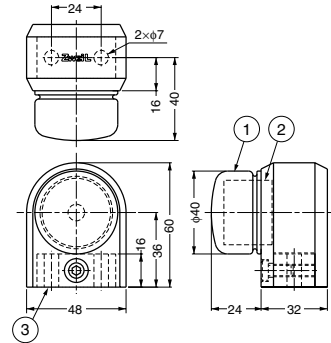
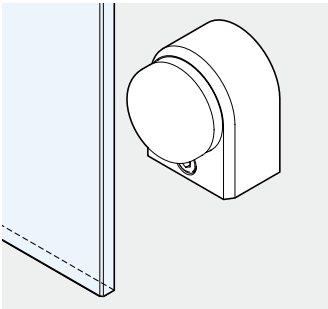


Features

- Floor mount type.
- Highly elastic polyurethane bumper has excellent shock absorbing and damping properties, making it ideal for use with glass.
- Made of highly corrosion resistant SUS316
- Ultrapremium Zwei L finish. Zwei L finish: Using top class polishing technology, these products combine the elegance of Satin with the deep glow of a Mirror.

Parts Included

- Rounded head wood screw 6.2x56 (SUS)
- Plug (MG-8x40P)
- Hex Key



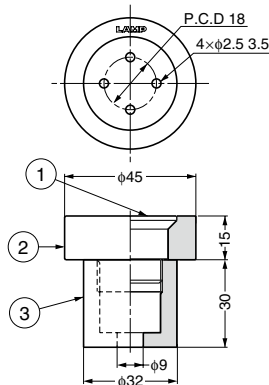
No.	Part Name	Material	Finish/Colour
①	Stopper	Ethylene Propylene Rubber (EPDM)	Grey
②	Cushion	Foamed Polyurethane (PUR)	-
③	Body	Stainless Steel (SUS316)	Zwei L finish

Item Code	Item Name	Weight	Box
270-183-404	ZL-1803	640 g	1 pc

STAINLESS STEEL DOOR STOPPER



HT-32



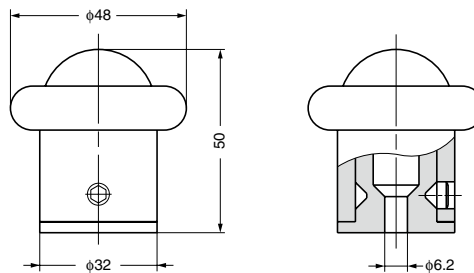
Parts Included

- Hex coach screw 8x50 (SUS)
- Anchor bolt M8x70 (SUS)

No.	Part Name	Material	Finish/Colour
①	Pin	Stainless Steel (SUS304)	Satin
②	Bumper	Acrylic Resin	Clear
③	Base	Stainless Steel (SUS304)	Satin

Item Code	Item Name	Weight	Box	Carton
270-170-247	HT-32P	330 g	1 pc	30 pcs

DOOR STOPPER



BPV-50V

Features

Beautiful finish with 24K gold/chrome coating.

Parts Included

Countersunk head wood screw 5.1x32

Item Code	Item Name	Material		Finish/Colour		Weight	Carton
		Body	Bumper	Body	Bumper		
270-173-590	*BPV-50V-GP	Brass	Rubber	Gold	Black	310 g	20 pc

*Limited stock available. Please contact your vendor.