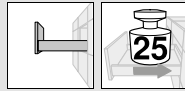


Runner systems



- ▶ STANDARD
- ▶▶ Single extension



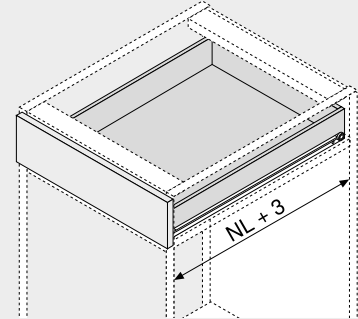
STANDARD – 230M | 230E

Webcode
DQD89A



- BLUMATIC self closing feature (230M) and/or closed position stops (230E)
- Epoxy coated, cream (RAL 9001)
- Dyn. load bearing 25 kg
- Pull-out stop (starting at 300 mm NL nominal length)
- One-side guided runner system

Space requirement



NL Nominal length

Order information

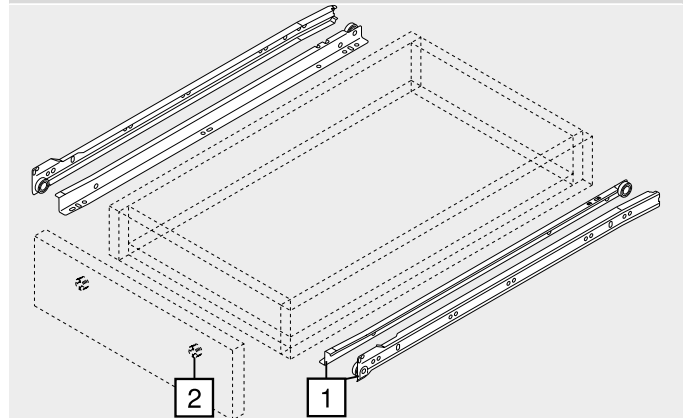
1	Cabinet and drawer profile left/right		
Nominal length	Colour		
NL (mm)	R9001		
250	230M2500		
300	230M3000		
350	230M3500		
400	230M4000		
450	230M4500		
500	230M5000		
550	230M5500		
600	230M6000		
650	230M6500		
700	230E7000		
750	230E7500		
800	230E8000		

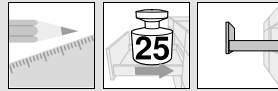
Colour
R9001 RAL 9001 cream

Accessories

2	Front adjuster		
	Material	Colour	Part no.
	Nylon	Natural	295.1000

Drawer



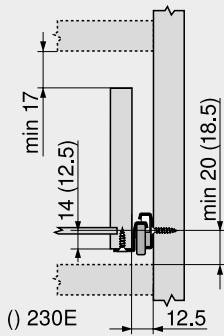


STANDARD – 230M | 230E

Webcode
DQD89A

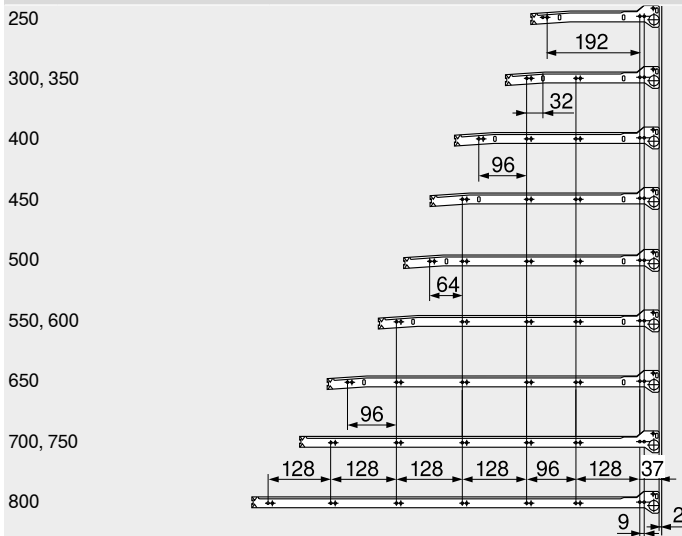
Planning

Space requirement in cabinet



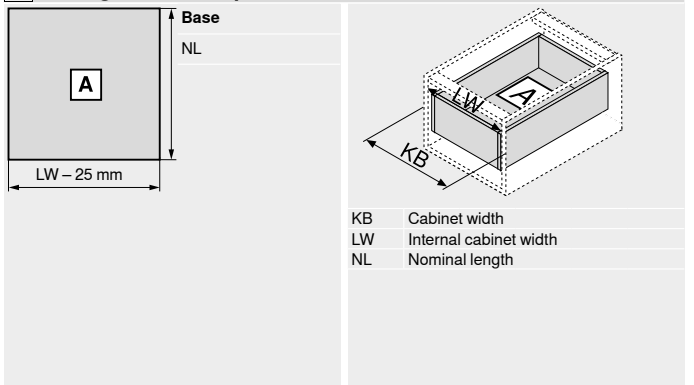
Screw position – cabinet profiles

Nominal length NL (mm)



Internal cabinet depth LT min. = nominal length NL + 3 mm

Cutting – 16 mm chipboard



KB Cabinet width
LW Internal cabinet width
NL Nominal length

Page instructions

Overview – STANDARD	525	Assembly, removal and adjustment
Accessories	530	
Cabinet profile fixing positions	534	Short-URL www.blum.com/a470
Overview – assembly devices	595	
More technical details	686	

