

Box systems



- ▶ **LEGRABOX**
- ▶▶ **Standard cabinet – LEGRABOX pure**

Inner pull-out – design element – C

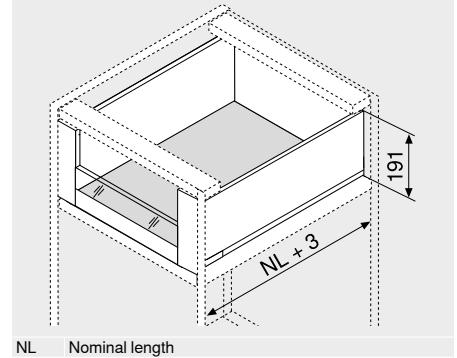
Webcode

DQBSVY



- Inner pull-out with a high or low design element
- Steel drawer side and stainless steel
- Straight interior and exterior
- Slim drawer side 12.8 mm
- Synchronised feather-light glide
- Includes integrated, switchable **BLUMOTION S** for silent and effortless closing, and can be combined with **SERVO-DRIVE** or **TIP-ON BLUMOTION**
- Tool-free front assembly
- Three-dimensional front adjustment in the drawer side

Space requirement



Box systems

Order information

1		Cabinet profiles left/right	
		BLUMOTION S	
Nominal length	Dynamic carrying capacity (kg)		
NL (mm)	40	70	
270	750.2701S		
300	750.3001S		
350	750.3501S		
400	750.4001S		
450	750.4501S	753.4501S	
500	750.5001S	753.5001S	
550	750.5501S	753.5501S	
600	750.6001S	753.6001S	
650	753.6501S		

2		Drawer side set	
		Drawer side height (mm)	177
Nominal length		Colour	
NL (mm)	TS-M OG-M PS-M SW-M	INGL	
270	770C2702S	770C2702I	
300	770C3002S	770C3002I	
350	770C3502S	770C3502I	
400	770C4002S	770C4002I	
450	770C4502S	770C4502I	
500	770C5002S	770C5002I	
550	770C5502S	770C5502I	
600	770C6002S	770C6002I	
650	770C6502S	770C6502I	

Composed of:

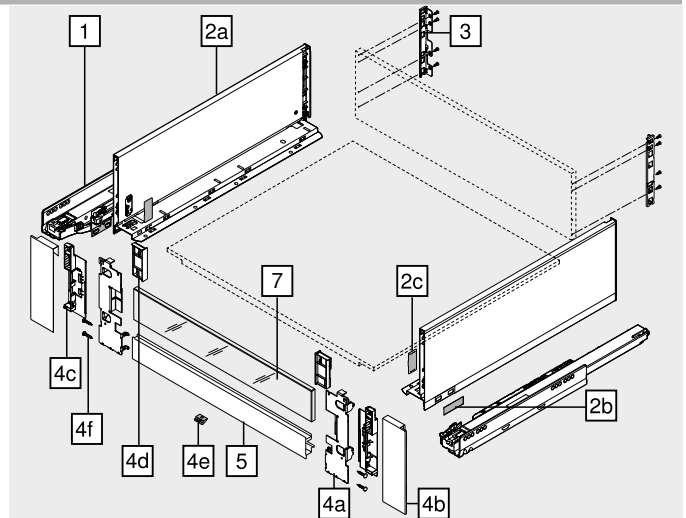
- 2a 1 x Left/right drawer sides
- 2b 2 x Branding element, stamped with Blum logo, starting at 1000 pcs. individually printed
- 2c 2 x Cover caps

3		Back fixing left/right	
		Colour	Part no.
TS-M OG-M PS-M SW-M NI	Steel		ZB7C000S

4		Front piece set	
		Colour	Part no.
TS-M OG-M PS-M SW-M	Steel		ZI7.2CS0
INGL	Stainless steel		ZI7.2CI0

Composed of:

- 4a 1 x Front fixing left/right
- 4b 1 x Outer cover cap left/right
- 4c 1 x Interior cover cap left/right
- 4d 1 x Adapter piece for low design element left/right
- 4e 1 x Locking piece
- 4f 4 x Screws



5		Front piece with groove	
		Colour	Part no.
TS-M OG-M PS-M SW-M NI-M	1043		ZV7.1043MN1
Suitable for cabinet width KB 1200 mm			
Cutting Internal cabinet width LW – 126 mm			

7		Glass design element (for inner pull-out front)	
		Design	Part no.
Low	Glass		ZE7VxxxxG
High	Glass		ZE7WxxxxG
For order specification, see design element			

Accessories

–		Fixing screw	
		Length (mm)	Part no.
Ø (mm)	15		61D.1500

For the connection of chipboard back fixings with chipboard back and drawer side with drawer bases
In order to achieve optimal assembly, we recommend that you use flat headed screws

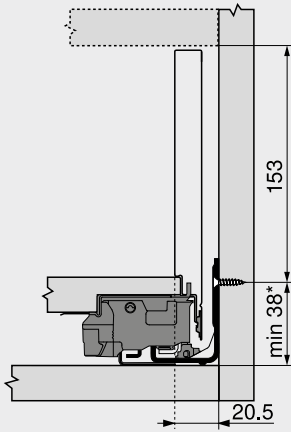
Colour	Colour	Colour	Colour
TS-M	Terra black matt	INGL	Stainless steel (Inox) Anti-fingerprint
OG-M	Orion grey matt	NI	Nickel plated
PS-M	Polar silver matt	NI-M	Matt nickel
SW-M	Silk white matt		

Inner pull-out – design element – C

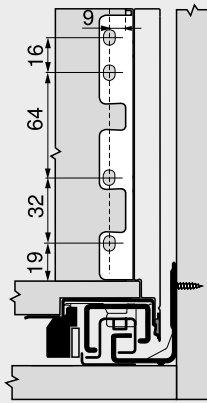
Webcode
DQBSVY

Planning

Space requirement in cabinet



Installation dimensions – back

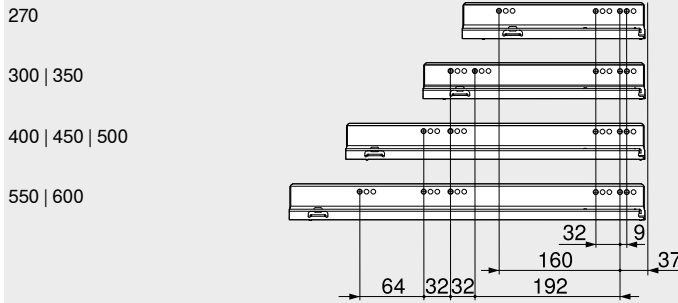


* +1 mm if cabinet profile is installed before the cabinet is assembled

Hole spacing – cabinet profiles

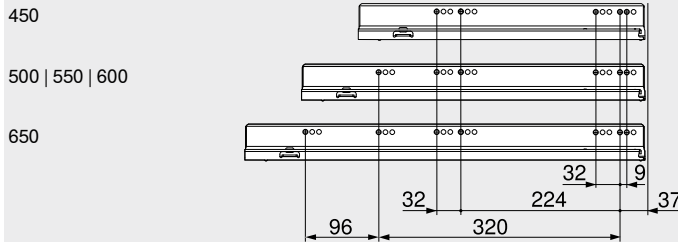
Cabinet profile 750 – 40 kg

Nominal length NL (mm)



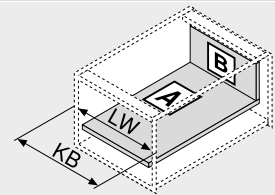
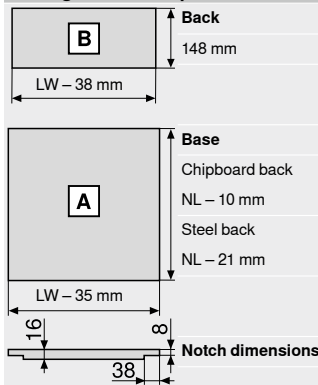
Cabinet profile 753 – 70 kg

Nominal length NL (mm)



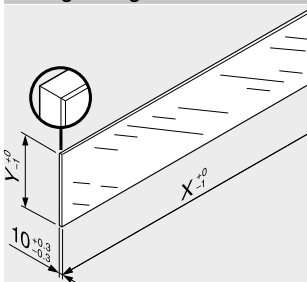
Internal cabinet depth LT min. = nominal length NL + 3 mm

Cutting – 16 mm chipboard



KB Cabinet width
LW Internal cabinet width
NL Nominal length

Cutting – design element



Design element	X (mm)	Y (mm)
Low	LW – 80	70
High	LW – 80	138
LW	Internal cabinet width	

The given dimensions in combination with LEGRABOX | TANDEMBOX do not require "impact testing for vertically installed glass parts" as per the DIN EN 14749 norm June 2016. For norm compliance no safety glass is required. The edge is a polished flat-ended edge with a 1 mm ±0.5 mm bevel.

Page instructions

Overview – LEGRABOX	205	Design element	242
Overview – SERVO-DRIVE for LEGRABOX TANDEMBOX	321	Accessories – steel back	243
Overview – TIP-ON BLUMOTION for LEGRABOX	249	Accessories	243
Overview – TIP-ON for LEGRABOX	255	Cabinet profile fixing positions	247
Overview – AMBIA-LINE for LEGRABOX CABLOXX	503	Overview – assembly devices	561
	552	More technical details	662

Assembly, removal and adjustment

Short-URL
www.blum.com/a310

