

## Box systems

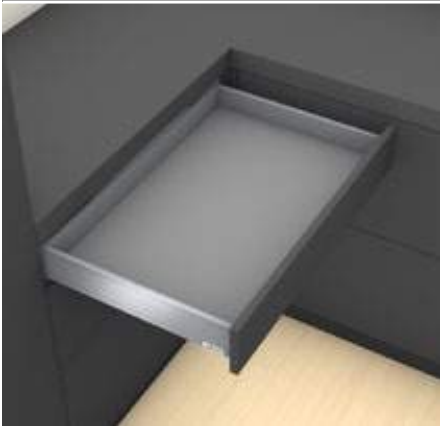


- ▶ **LEGRABOX**
- ▶▶ **Standard cabinet**

### Drawer – M

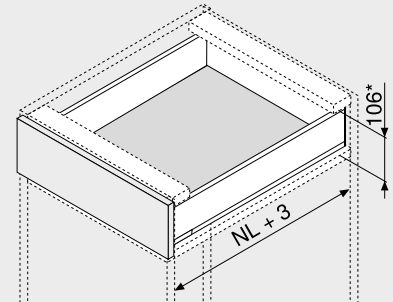
Webcode

DQBN9A



- Suitable for LEGRABOX pure and LEGRABOX free
- Steel drawer side and stainless steel
- Straight interior and exterior
- Slim drawer side 12.8 mm
- Synchronised feather-light glide
- Includes integrated, switchable **BLUMOTION S** for silent and effortless closing, and can be combined with **SERVO-DRIVE** or **TIP-ON BLUMOTION**
- Tool-free front assembly
- Three-dimensional front adjustment in the drawer side

#### Space requirement



NL Nominal length  
\* Incl. 2 mm tilt adjustment

#### Order information

1		Cabinet profiles left/right	
		<b>BLUMOTION S</b>	
Nominal length		Dynamic carrying capacity (kg)	
NL (mm)	40	70	
270		750.2701S	
300		750.3001S	
350		750.3501S	
400		750.4001S	
450		750.4501S	753.4501S
500		750.5001S	753.5001S
550		750.5501S	753.5501S
600		750.6001S	753.6001S
650			753.6501S

2		Drawer side set	
		Drawer side height (mm) 90.5	
Nominal length		Colour	
NL (mm)		TS-M   OG-M   PS-M   SW-M	INGL
270		770M2702S	770M2702I
300		770M3002S	770M3002I
350		770M3502S	770M3502I
400		770M4002S	770M4002I
450		770M4502S	770M4502I
500		770M5002S	770M5002I
550		770M5502S	770M5502I
600		770M6002S	770M6002I
650		770M6502S	770M6502I

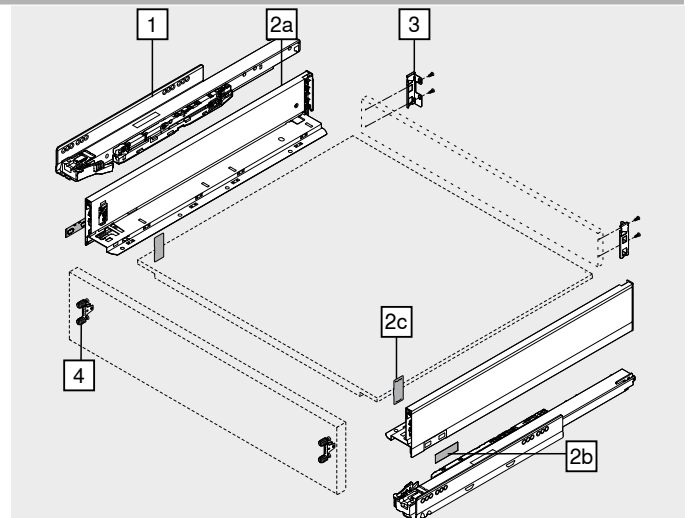
#### Composed of:

- 2a 1 x Left/right drawer sides
- 2b 2 x Branding element, stamped with Blum logo, starting at 1000 pcs. individually printed
- 2c 2 x Cover caps

3		Back fixing left/right	
		Colour	Part no.
TS-M   OG-M   PS-M   SW-M   NI	Material	Steel	ZB7M000S

4		Front fixing bracket	
		Fixing method	Part no.
Screw-on	2 x	EXPANDO	ZF7M7002
EXPANDO	2 x	EXPANDO T	ZF7M70E2
EXPANDO T	2 x		ZF7M70T2

EXPANDO T suitable for thin fronts – see page instructions



#### Accessories

Chipboard screws			
Ø (mm)	Length (mm)	Part no.	
3.5	15	609.1500	
3.5	17	609.1700	

For front fixing

Fixing screw			
Ø (mm)	Length (mm)	Part no.	
4	15	61D.1500	

For the connection of chipboard back fixings with chipboard back and drawer side with drawer bases  
In order to achieve optimal assembly, we recommend that you use flat headed screws

Colour		Colour	
TS-M	Terra black matt	SW-M	Silk white matt
OG-M	Orion grey matt	INGL	Stainless steel (Inox) Anti-fingerprint
PS-M	Polar silver matt	NI	Nickel plated

Drawer – M

Webcode  
DQBN9A

Planning

Space requirement in cabinet	Installation dimensions – front – screw-on	Drilling distances – front – EXPANDO front	Installation dimensions – back
<p>* +1 mm if cabinet profile is installed before the cabinet is assembled</p> <p>** Incl. 2 mm tilt adjustment</p>	<p>FA Front overlay</p> <p>* +1 mm if cabinet profile is installed before the cabinet is assembled</p>	<p>* +1 mm if cabinet profile is installed before the cabinet is assembled</p>	

Hole spacing – cabinet profiles

Cabinet profile 750 – 40 kg  
Nominal length NL (mm)

270	
300   350	
400   450   500	
550   600	

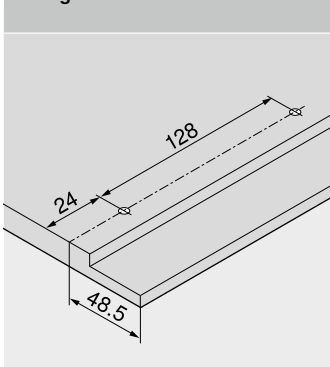
Cutting – 16 mm chipboard


Cabinet profile 753 – 70 kg

Nominal length NL (mm)

450	
500   550   600	
650	

Drilling distances – drawer base



Internal cabinet depth LT min. = nominal length NL + 3 mm

Page instructions

Overview – LEGRABOX	205	Overview – TIP-ON BLUMOTION for LEGRABOX	249	Overview – assembly devices	561
Fixing system for thin fronts – EXPANDO T	554	Overview – TIP-ON for LEGRABOX	255	More technical details	662
Assembly recommendation and limitation of liability – EXPANDO T	555	Overview – AMBIA-LINE for LEGRABOX	503	<b>Assembly, removal and adjustment</b> 	
Overview – SERVO-DRIVE for LEGRABOX   TANDEMBOX	321	CABLOXX	552		
		Accessories – steel back	243		
		Accessories	243		
		Cabinet profile fixing positions	247	<b>Short-URL</b> <a href="http://www.blum.com/a310">www.blum.com/a310</a>	