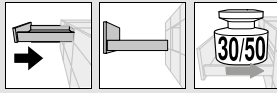


Runner systems



- ▶ TANDEM
- ▶▶ Locking device feature – full extension



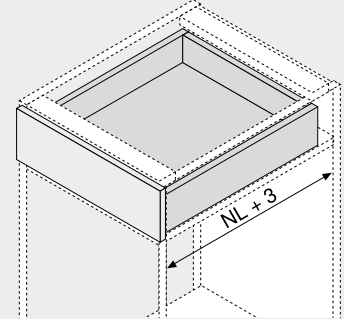
TANDEM plus – 560H | 566H

Webcode
DQD2MM



- Concealed TANDEM full extension with integrated **BLUMATIC** self-insertion technology
- Suitable for use with TIP-ON – the mechanical opening support system
- Tool-free height adjustment via a locking device
- Tool-free integrated front tilt adjustment
- Built-in width and depth tolerance compensation
- Optional TIP-ON synchronisation for secure triggering even with wide fronts
- TANDEM inside – unsurpassed running action – for the lifetime of the furniture

Space requirement



NL Nominal length

Order information

1	Runners left/right	
Nominal length NL (mm)	Dynamic carrying capacity (kg)	
	30	50
250	560H2500C	
270	560H2700C	
300	560H3000C	
320	560H3200C	
350	560H3500C	
380	560H3800C	
400	560H4000C	
420	560H4200C	
450	560H4500C	566H4500C01
480	560H4800C	
500	560H5000C	566H5000C01
520	560H5200C	566H5200C01
550	560H5500C	566H5500C01
580		566H5800C01
600	560H6000C	566H6000C01
650		566H6500C01
700		566H7000C01
750		566H7500C01

The output path can vary depending on the load or the adjustment!

3	Locking device left/right		Part no.
	Material	Colour	
	Nylon/zinc	Orange	T51.1700.04

Order left/right

a Accessories

4	Front adjuster		Part no.
	Material	Colour	
	Nylon	Natural	295.1000

6a	TIP-ON left/right		Part no.
	Dynamic carrying capacity (kg)		
	30		T55.7150S
	50		T55.9150S

Only suitable for TANDEM plus

6b	TIP-ON synchronisation pinion set		Part no.
	Version	Colour	
	Semicircular	RAL 7037 dust grey	T55.000R

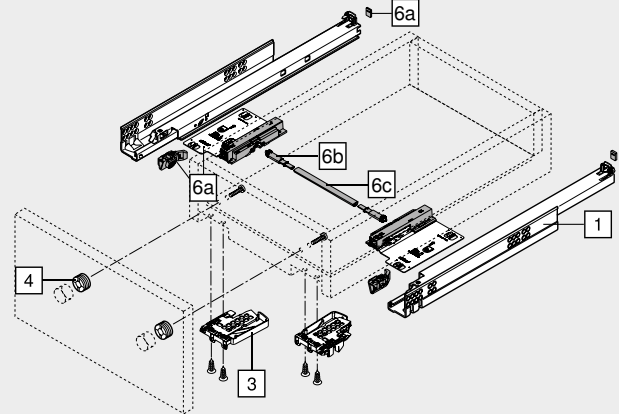
6c	TIP-ON synchronisation linkage		Part no.
	Cabinet width KB (mm)	Version	
	Up to 1200	Semicircular	T55.889W

For cutting to size

Starting with cabinet width KB 600 mm

Cutting Internal cabinet width LW – 277 mm

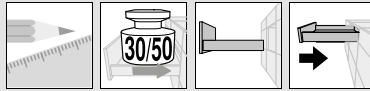
Drawer



Alternative to 6b, 6c

6d	TIP-ON synchronisation pinion set and shaft			Part no.
	Cabinet width KB (mm)	Version		
	Up to 1400	Round		T55.1089ZR

For cutting to size
Cutting Internal cabinet width LW – 277 mm

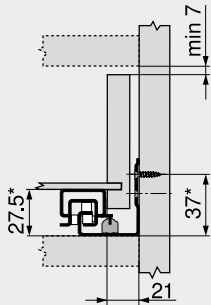


TANDEM plus – 560H | 566H

Webcode
 DQD2MM

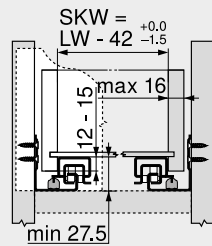
Planning

Space requirement in cabinet



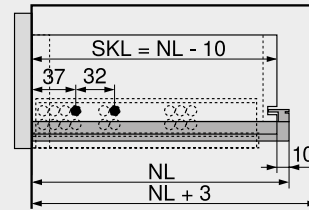
* +1 mm with TIP-ON

Drawer | inner drawer



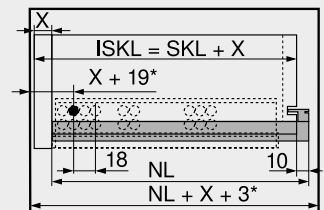
SKW Internal drawer width
 LW Internal cabinet width

Drawer



SKL Drawer length
 NL Nominal length

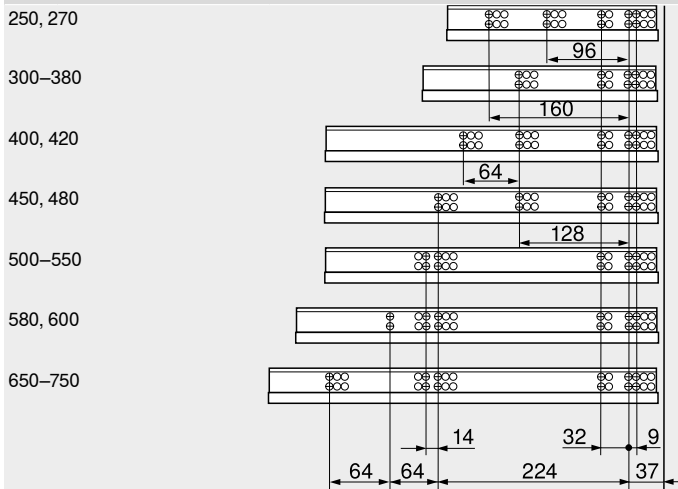
Inner drawer



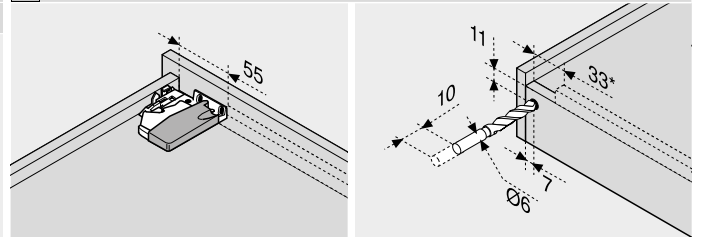
ISKL Inner drawer length
 SKL Drawer length
 NL Nominal length
 X Front thickness
 * Additional +4 mm with TIP-ON

Screw position – cabinet profiles

Nominal length NL (mm)



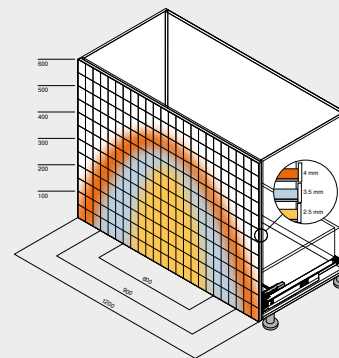
Drawer assembly



Use drilling template T65.1000.02

* 85 mm with TIP-ON
 Use drilling template T65.1000.02

Trigger range



Example for 560H, nominal length NL 500 mm, four sided drawer, with synchronisation

Page instructions

Overview – TANDEM	465	Assembly, removal and adjustment
CABLOXX	586	
Accessories	484	Short-URL www.blum.com/a420
Cabinet profile fixing positions	488	
Overview – assembly devices	595	
More technical details	686	

