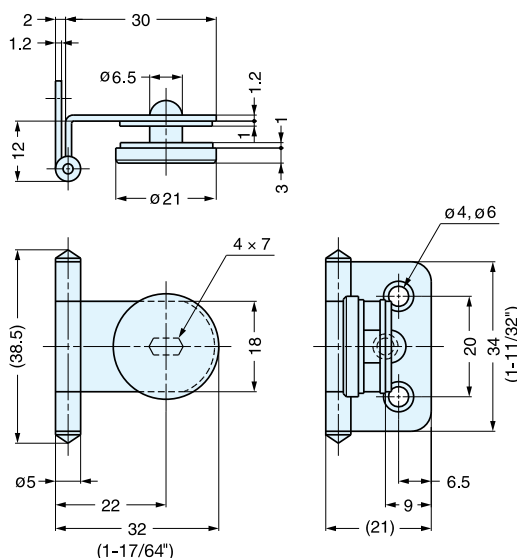


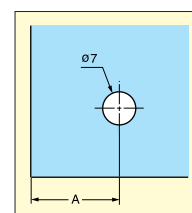
INSET GLASS DOOR HINGE



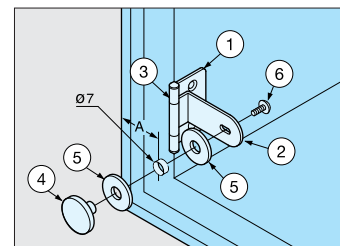
GH-34/0/S



- Hinge for glass/acrylic doors.
- Door thickness: 4~6 mm
- Door weight: Max. 4kg/pair (8.8 lbs/pair)



Cut Out Dimension



Installation

Glass Thickness	A
4 (5/32")	19
5 (3/16")	18
6 (15/64")	17

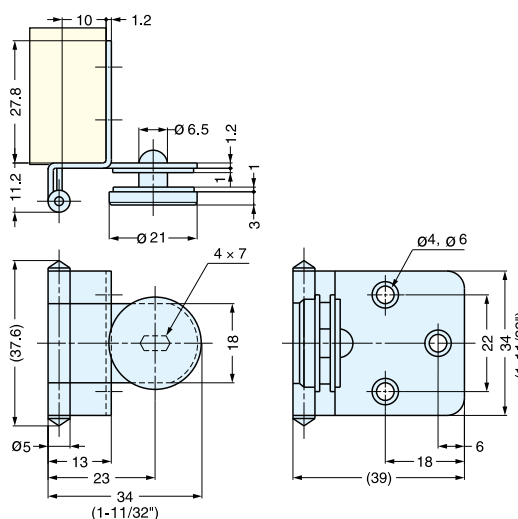
Item No.	Weight (g)	Box (pcs)	Carton (pcs)
GH-34/0/S	15	150	900

No.	Part Name	Material	Finish
①	Body	304 Stainless Steel	Plain
②	Arm		
③	Hinge Pin	Aluminum	Anodized
④	Plate	Chloroethylene	Clear
⑤	Washer	304 Stainless Steel	Plain
⑥	Screw		

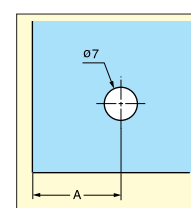
HALF OVERLAY GLASS DOOR HINGE



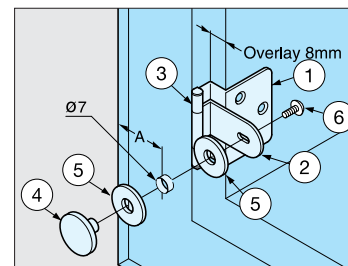
GH-34/8/S



- Hinge for glass/acrylic doors.
- Door thickness: 4~6 mm
- Door weight: Max. 4kg/pair (8.8 lbs/pair)



Cut Out Dimension



Installation

Glass Thickness	A	Overlay
4 (5/32")	19	8
5 (3/16")	18	7
6 (15/64")	18	7

Item No.	Weight (g)	Box (pcs)	Carton (pcs)
GH-34/8/S	21	100	600

No.	Part Name	Material	Finish
①	Body	304 Stainless Steel	Plain
②	Arm		
③	Hinge Pin	Aluminum	Anodized
④	Plate	Chloroethylene	Clear
⑤	Washer	304 Stainless Steel	Plain
⑥	Screw		