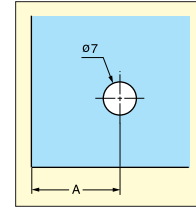
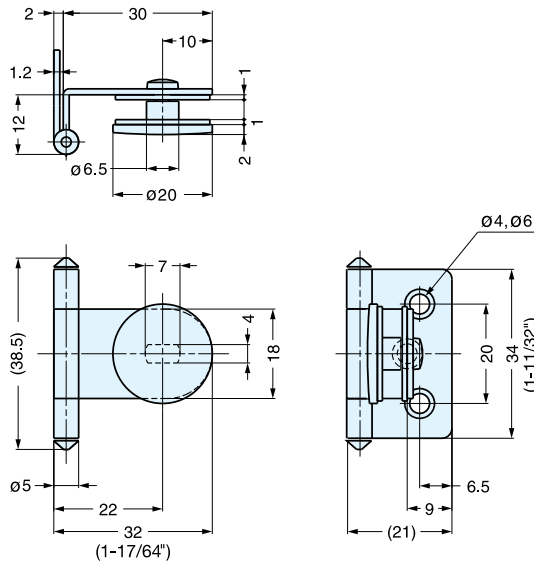


INSET GLASS DOOR HINGE

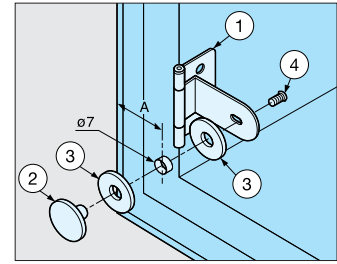


GH-34/0

- Hinge for glass/acrylic doors.
- Door thickness: 4~6 mm
- Door size: Max. W450 x H700 x t5mm
- Door weight: Max. 4kg/pair (8.8 lbs/pair)



Cut Out Dimension



Installation

Glass Thickness	A
4 (5/32")	19
5 (3/16")	18
6 (15/64")	17

Item No.	Weight (g)	Box (pcs)	Carton (pcs)
GH-34/0/CR	23.5	150	900

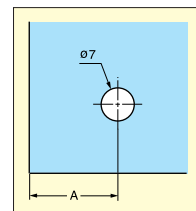
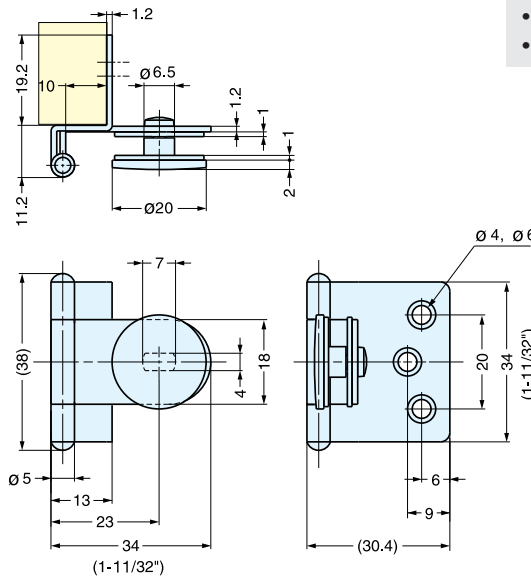
No.	Part Name	Material	Finish
①	Body	Steel	Chrome
②	Plate	Brass	
③	Washer	Chloroethylene	Clear
④	Screw	Steel	Nickel

HALF OVERLAY GLASS DOOR HINGE

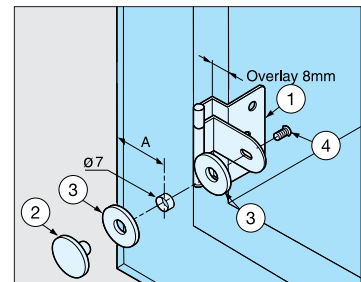


GH-34/8

- Hinge for glass/acrylic doors.
- Door thickness: 4~6 mm
- Door size: Max. W450 x H700 x t5mm
- Door weight: Max. 4kg/pair (8.8 lbs/pair)



Cut Out Dimension



Installation

Glass Thickness	A	Overlay
4 (5/32")	19	8
5 (3/16")	18	7
6 (15/64")	18	7

Item No.	Weight (g)	Box (pcs)	Carton (pcs)
GH-34/8/CR	25	50	500

No.	Part Name	Material	Finish
①	Body	Steel	Chrome
②	Plate	Brass	
③	Washer	Chloroethylene	Clear
④	Screw	Steel	Nickel