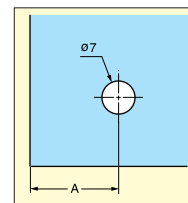
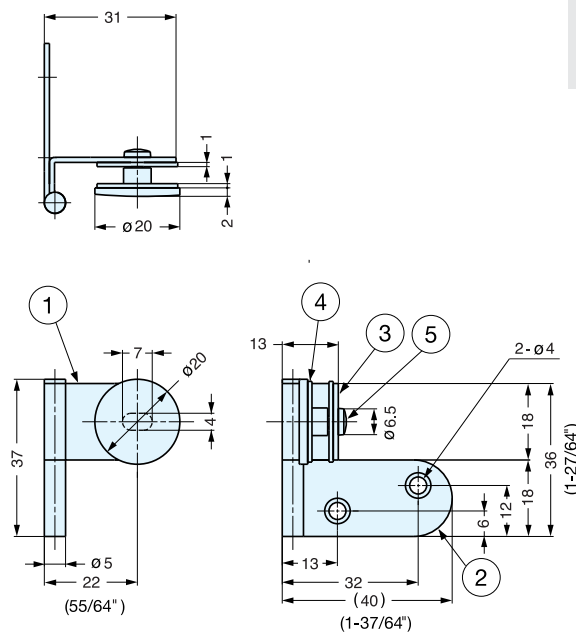


# INSET GLASS DOOR LIFT-OFF HINGE

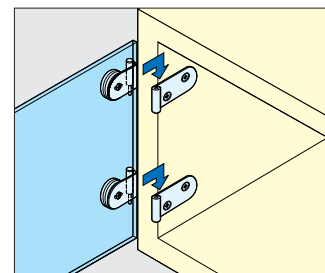


## GH-36/NCR

- Lift-off Hinge for glass/acrylic doors.
- Door thickness: 4-6 mm
- Door size: Max. W450 x H700 x t5mm
- Door weight: Max. 4kg/pair (8.8 lbs/pair)



Cut Out Dimension



Installation

Glass Thickness	A
4 ( 5/32" )	20
5 ( 3/16" )	20
6 ( 15/64" )	20

No.	Part Name	Material	Finish
①	Body	Steel	Chrome
②			
③	Plate	Brass	
④	Washer	Chloroethylene	Clear
⑤	Screw	Steel	Nickel

Item No.	Weight (g)	Box (pcs)	Carton (pcs)
GH-36/NCRL	24.5	100	400
GH-36/NCRR			

# HALF OVERLAY GLASS DOOR HINGE (W/CATCH)



## GHC-34/8

- Hinge will hold door in closed position without secondary support.
- Door thickness: 4-6 mm
- Door size: Max. W450 x H700 x t5mm
- Door weight: Max. 4kg/pair (8.8 lbs/pair)



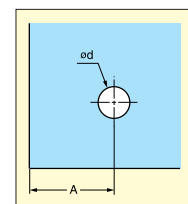
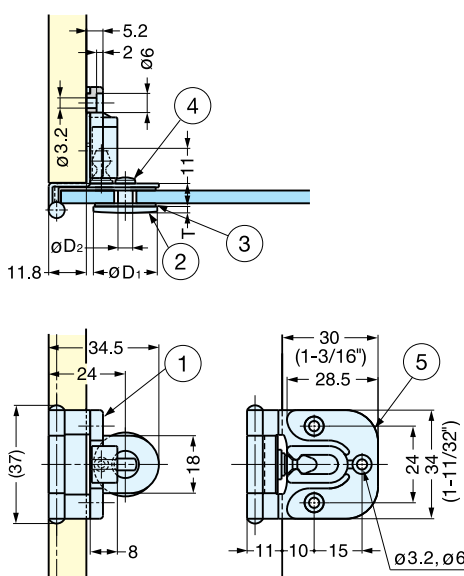
GHC-34/8/CR



GHC-34/8/BLK



GHC-34/8/PB



Cut Out Dimension

Glass Thickness	A	Overlay
4 ( 5/32" )	19	8
5 ( 3/16" )	18	7
6 ( 15/64" )	18	6

No.	Part Name	Material	Finish	
①	Body	GHC-34/8/BLK	304 Stainless Steel	Black
		GHC-34/8/CR	Steel	Chrome
		GHC-34/8/PB	Steel	Polished Brass
②	Plate	GHC-34/8/BLK	Aluminum	Black
		GHC-34/8/CR	Brass	Chrome
		GHC-34/8/PB	Brass	Polished Brass
③	Washer	Chloroethylene	Clear	
④	Screw	Steel	Nickel	
⑤	Catch	Polyacetal	Black	

Item No.	D <sub>1</sub>	D <sub>2</sub>	d	T	Weight (g)	Box (pcs)	Carton (pcs)
GHC-34/8/CR	20	6.5	7	2	36	40	600
GHC-34/8/PB	20	6.5	7	2	36	40	600
GHC-34/8/BLK	21	8	8.5	3	32	40	600