

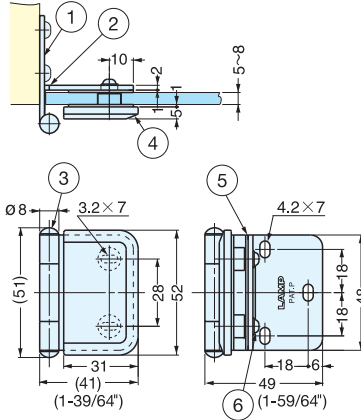
INSET GLASS DOOR HINGE



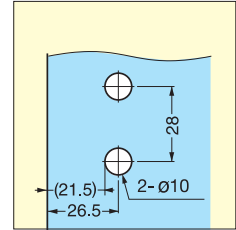
XL-GH03-48-0



PAT.P



- Medium size hinge for glass/acrylic doors.
- Door thickness: 5~8 mm
- Door size: Max. W650 x H900 x t8mm
- Door weight: Max. 12kg/pair (26.4 lbs/pair)



Cut Out Dimension

No.	Part Name	Material	Finish
①	Body	304 Stainless Steel	Mirror
②	Arm		
③	Hinge Pin		Plain, Mirror
④	Plate	Zinc Alloy	Chrome
⑤	Pad	Polyethylene	Natural
⑥	Screw	304 Stainless Steel	-

Item No.	Weight (g)	Box (pcs)	Carton (pcs)
XL-GH03-48-0CR	129	10	100

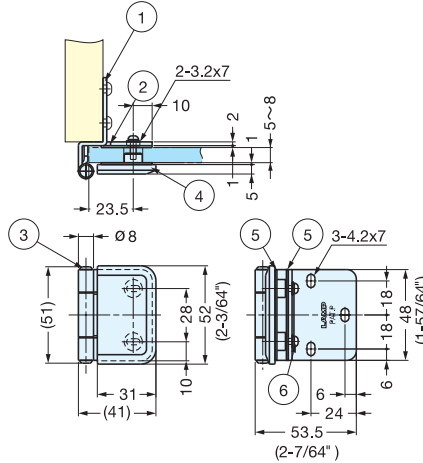
HALF OVERLAY GLASS DOOR HINGE



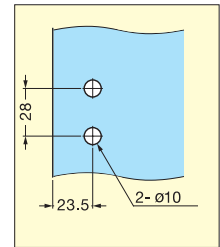
XL-GH03-48-8



PAT.P



- Half overlay Medium size hinge for glass/acrylic doors.
- Door thickness: 5~8 mm
- Door size: Max. W650 x H900 x t8mm
- Door weight: Max. 12kg/pair (26.4 lbs/pair)



Cut Out Dimension

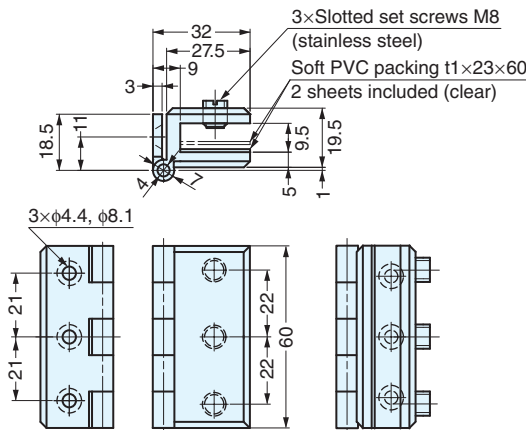
No.	Part Name	Material	Finish
①	Body	304 Stainless Steel	Mirror
②	Arm		
③	Hinge Pin		Plain, Mirror
④	Plate	Zinc Alloy	Chrome
⑤	Pad	Polyethylene	Natural
⑥	Screw	304 Stainless Steel	-

Item No.	Weight (g)	Box (pcs)	Carton (pcs)
XL-GH03-48-8CR	129	10	100

GLASS DOOR HINGE



XL-GH01-600



- Pre-drilling on glass/acrylic not required.
- Door thickness: 4~8 mm
- Door size: Max. W400 x H1300mm
- Please use 2 spacers for 4mm door thickness.

Item No.	Weight (g)	Box (pcs)	Carton (pcs)	Material	Finish
XL-GH01-600	180	10	50	304 Stainless Steel	Polished