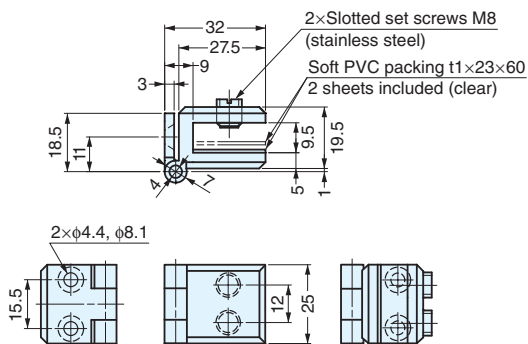


# GLASS DOOR HINGE



# XL-GH01-250



- Pre-drilling on glass/acrylic not required.
- Door thickness: 4-8 mm
- Door size: Max. W400 x H600mm
- Please use 2 spacers for 4mm door thickness.

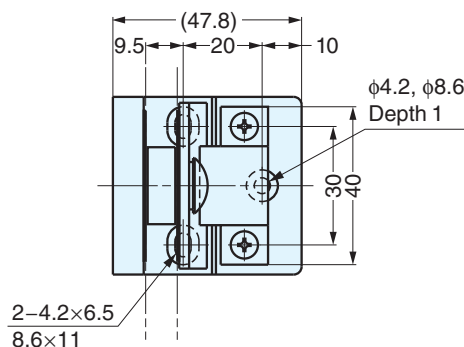
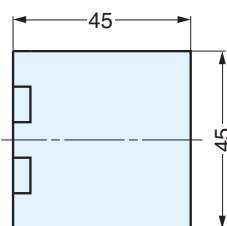
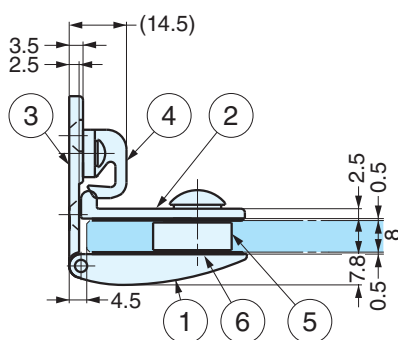
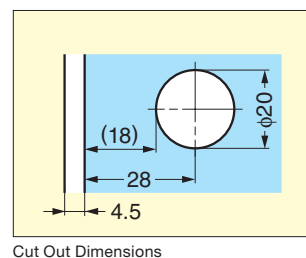
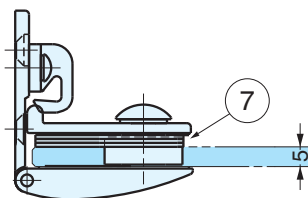
Item No.	Weight (g)	Box (pcs)	Carton (pcs)	Material	Finish
XL-GH01-250	76	10	100	304 Stainless Steel	Polished

# INSET GLASS DOOR HINGE (INSET TYPE)

# GH-450



- Glass hinge with catch.
- For Inset use
- Suitable for showcases
- Mounting position adjustable: Vertically ±1mm  
Horizontally ±1.2mm
- Spacer included to accommodate different glass thickness.



Item No.	Applicable Door Thickness	Applicable Glass Door Size	No.	Part Name	Material	Finish		
						SN	CR	GA
GH-450/SN	5-8mm	W:600mm(23-5/8") Maximum 15kg(33 lbs)	①	Face Plate	Brass	Satin Nickel	Chrome	Gold
GH-450/CR	5mm : Use with 3 spacers 6mm : Use with 2 spacers		②	Fixing Plate	Brass	Satin Nickel	Chrome	Gold
GH-450/GA	8mm : Spacer not required		④	Mounting Plate	Brass	Satin Nickel	Chrome	Gold
			⑤	Catch	Polyamide		Black	
			⑥	Glass Adjustment Block	Polyamide		Black	
			⑦	Pad	Rubber		Black	
			⑧	Spacer	Plastic		Black	

Item No.	Weight (g)	Box (pcs)	Carton (pcs)
GH-450/SN	202	10	40
GH-450/CR			
GH-450/GA			