

HALF OVERLAY GLASS DOOR HINGE

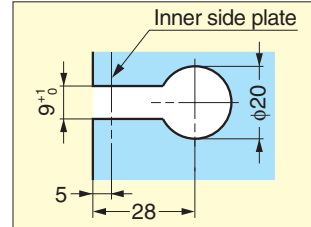
GH-456C

GLASS HARDWARE

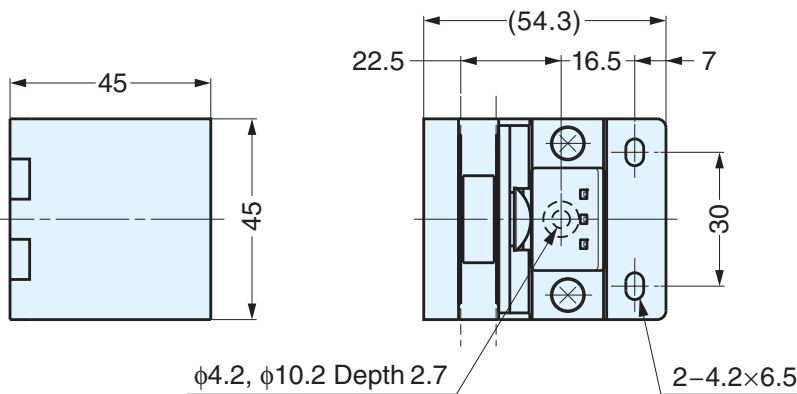
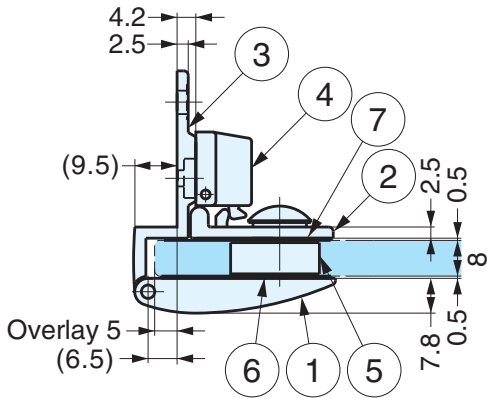
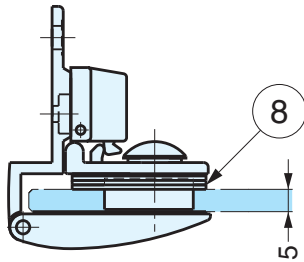
GLASS DOOR HINGES



- Glass hinge with catch.
- For overlay use
- Suitable for showcases
- Mounting position adjustable: Vertically $\pm 1\text{mm}$
Horizontally $\pm 1.2\text{mm}$
- Spacer included to accommodate different glass thickness.



Cut Out Dimensions



Item No.	Applicable Door Thickness	Applicable Glass Door Size
GH-456C/SN	5-8mm	W:600mm(23-5/8") Maximum 15kg(33 lbs)
GH-456C/CR	5mm : Use with 3 spacers	
GH-456C/GA	6mm : Use with 2 spacers 8mm : Spacer not required	

Item No.	Weight (g)	Box (pcs)	Carton (pcs)
GH-456C/SN	200	10	40
GH-456C/CR			
GH-456C/GA			

No.	Part Name	Material	Finish		
			SN	CR	GA
①	Face Plate	Brass	Satin Nickel	Chrome	Gold
②	Fixing Plate	Brass	Satin Nickel	Chrome	Gold
③	Mounting Plate	Brass	Satin Nickel	Chrome	Gold
④	Catch	Plastic	Black		
⑤	Glass Adjustment Block	Plastic	Black		
⑥	Pad A	Rubber	Black		
⑦	Pad B	Rubber	Black		
⑧	Spacer	Plastic	Black		