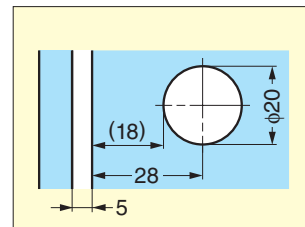


GLASS DOOR HINGE (GLASS FRAME TYPE)

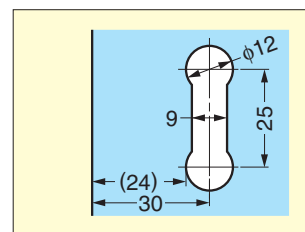
GH-450G



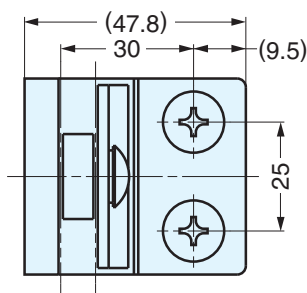
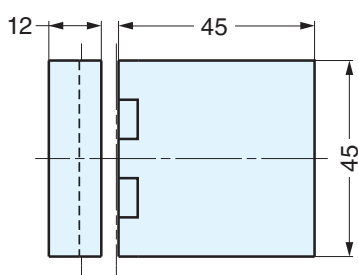
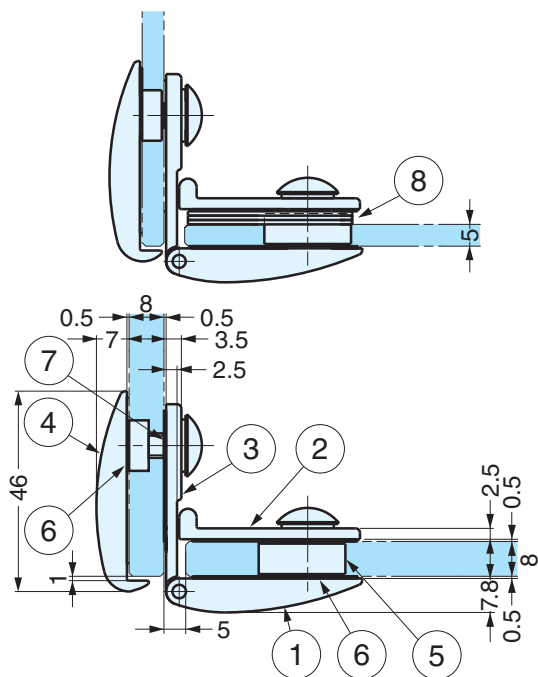
- For glass frame use
- Suitable for showcases
- Mounting position adjustable: Horizontally $\pm 1.2\text{mm}$
- Spacers included to accommodate different glass thickness.



Cut Out Dimensions



Cut Out Dimension for Side Panel



Item No.	Applicable Door Thickness	Applicable Glass Door Size	
GH-450G/SN	5-8mm	W:600mm(23-5/8") Maximum 15kg(33 lbs)	
GH-450G/CR	5mm : Use with 3 spacers		
GH-450G/GA	6mm : Use with 2 spacers		
	8mm : Spacer not required		
Item No.	Weight (g)	Box (pcs)	Carton (pcs)
GH-450G/SN	200	10	40
GH-450G/CR			
GH-450G/GA			

No.	Part Name	Material	Finish		
			SN	CR	GA
①	Face Plate	Brass	Satin Nickel	Chrome	Gold
②	Fixing Plate	Brass	Satin Nickel	Chrome	Gold
③	Mounting Plate	Brass	Satin Nickel	Chrome	Gold
④	Side Plate	Brass	Satin Nickel	Chrome	Gold
⑤	Glass Adjustment Block	Polyamide	Black		
⑥	Pad A	Rubber	Black		
⑦	Pad B	Rubber	Black		
⑧	Spacer	Polypropylene	Black		