

GLASS DOOR GRAVITY HINGE



XL-GH02-120

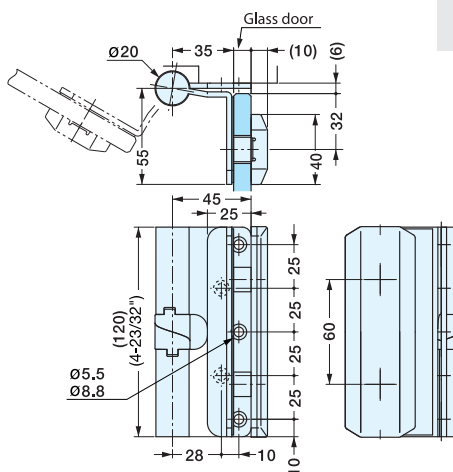
GLASS HARDWARE

GLASS DOOR HINGES



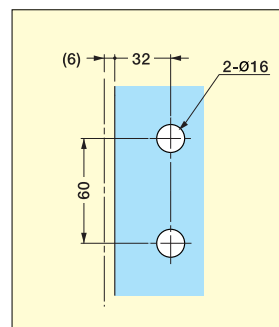
PAT.P

XL-GH02-120R is shown.



Left-Hand Opening is shown.

- Glass hinge with self closing feature.
- Stainless steel construction suitable for shower doors.
- Door will self close up to opening angle 170°.
- Door will stay open beyond 170°.
- Door Size: Max. W750xH2000
- Door Weight: Max. 45kg/pair (99lbs/pair)
- Sold in pairs



Cut Out Dimensions

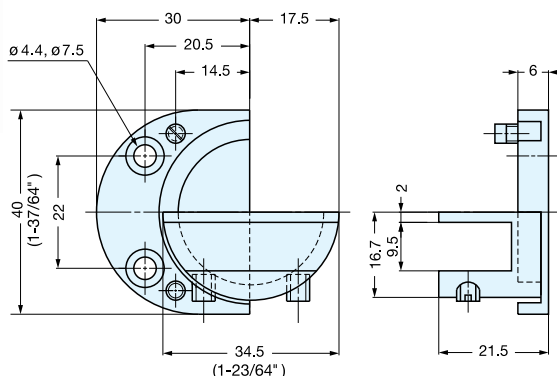
Item No.	Glass Thickness (mm)	Weight (g) / pair	Box (pairs)	Carton (pairs)
XL-GH02-120L	10, 12	1200	1	5
XL-GH02-120R		1200	1	5

Material	Finish
304 Stainless Steel	Mirror

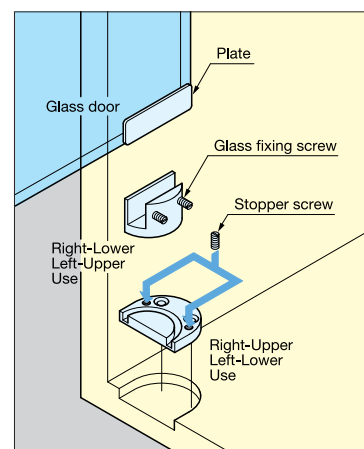
PIVOT TYPE INSET GLASS DOOR HINGE



GP-40



- Glass door hinge for inset use.
- Door Size: Max. W450 x H700 x t5mm
- Door Weight: Max. 4kg/pair (8.8 lbs/pair)
- Glass Door Thickness: Max. 8mm (5/16")
- Pre-drilling on glass not required.
- Non-handed.



Change the stopper screw position accordingly to install on left/right/top/bottom.

Item No.	Weight (g)	Box (pcs)	Carton (pcs)
GP-40	76	35	350

Material	Finish
Brass	Satin Nickel