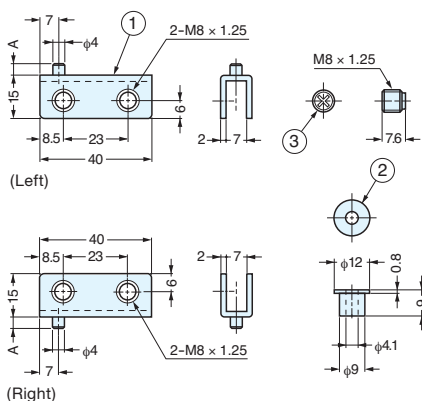


# PIVOT TYPE INSET GLASS DOOR HINGE

**GPH**



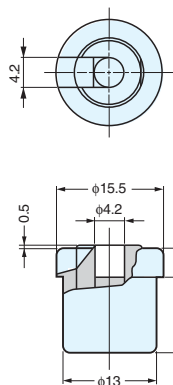
- Door Size: Max. W450 x H700
- Door Weight: Max. 4kg
- Glass Thickness: 3, 4, 5mm
- One left and one right part required for each door.

Item No.		A	Weight (g)	Box (pcs)	Carton (pcs)
Right	Left				
GPH40R-G	GPH40L-G	4	25	100	600
GPH41HR-G	GPH41HL-G	9	25.5	100	1800

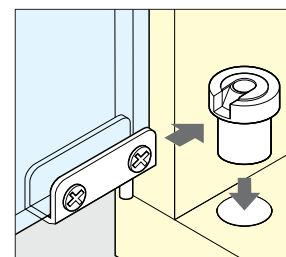
No.	Part Name	Material	Finish
1	Body	Steel	Black
2	Socket	Polypropylene	
3	Screw	Steel	

# SOCKET FOR GPH40 PIVOT HINGE

**PHB4**



- Door Size: Max. W450 x H700
- Door Weight: Max. 2kg/pair (4.4 lbs/pair)



Item No.	Glass Thickness (mm)	Weight (g)	Box (pcs)	Material
PHB4	3, 4, 5	5	400	Polyamide

# GLASS PANEL MARKER

**GM**

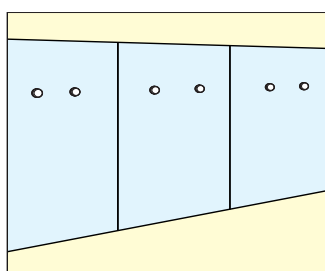
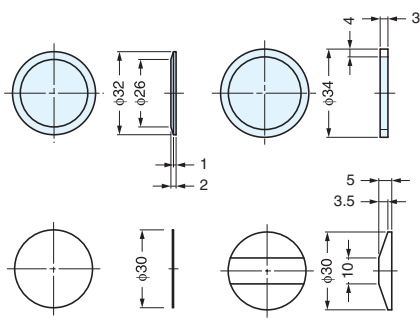


GM-02



GM-01

- Makes glass panels easier to see to enhance safety.
- Comes with double sided adhesive tape
- 2 variation of designs available



Item No.	Material
GM-01	303 Stainless Steel
GM-02	303 Stainless Steel