

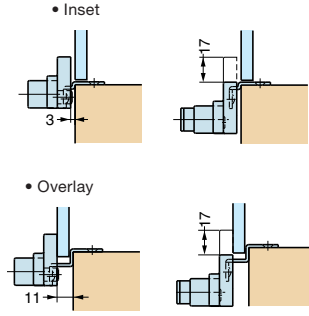
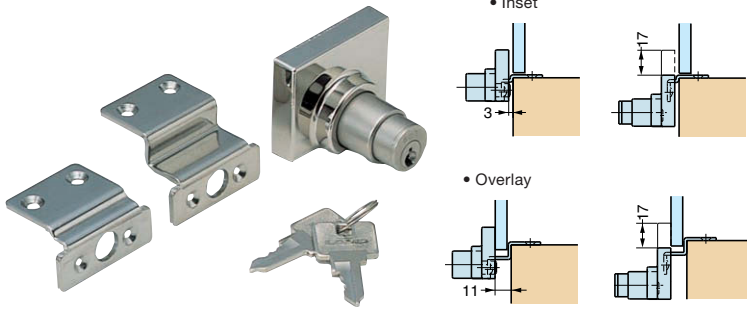
TOTAL LOCK 2100 SERIES



MKL-2100

GLASS HARDWARE

GLASS DOOR LOCKS



- Can be installed without replacing glass.
- For inset door usage. MKL-B mounting plate (sold separately) is available for door overlay usage.
- 1 type of key alike keys are available. Key Difference (maximum of 12 key changes) is available upon request.

Supplied With :

- Mounting plate for inset doors.
- Flat head cross screws (for wood) 3.1 x1.6

Sold Separately :

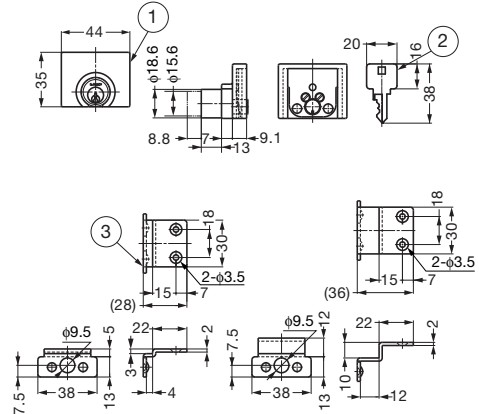
- Mounting plate for overlay doors.

MOUNTING PLATE FOR OVERLAY DOORS(Sold Separately)

Item No.	Box	Carton
MKL-B	60pcs	360pcs
Material	Finish	
SUS304	Polish	

Part Name	Material	Finish
Plate	Zinc Alloy	Nickel
Push lock 2100B	Zinc Alloy	Satin Light Chrome
Key	Brass	Nickel
Mounting Plate for inset doors	304 Stainless Steel	Polish

Item No.	Key Difference/ Key Alike	Glass thickness mm	Weight (g)	Box (pcs)	Carton (Pcs)
MKL-2100	Key Alike	5-8	125	12	60



GLASS SLIDING DOOR LATCH

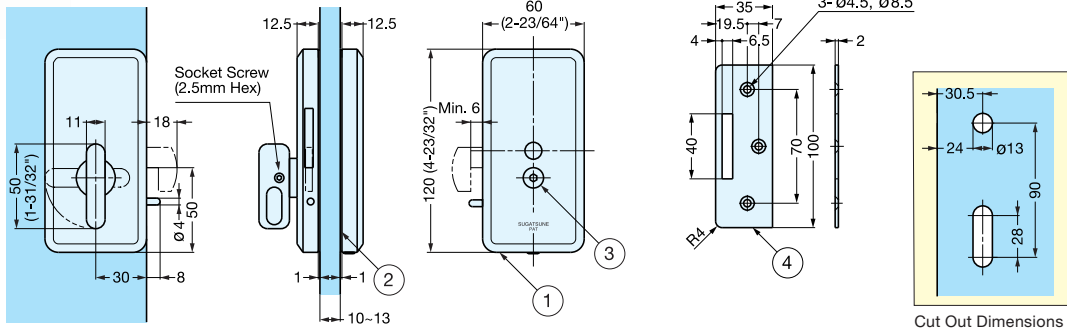


XL-MT120-H



PAT

XL-MT120-H01



- Lock with indicator for glass sliding door.
- Strike unit (XL-MT120-U) available for double sliding door.
- Can be unlocked by turning emergency release pin with supplied allen key. (Hex size 4mm)
- Not recommended for applications with direct water exposure.

Item No.	Type	Glass Thickness (mm)	Weight (g)	Box (pcs)	Carton (pcs)
XL-MT120-H01	Right	10-13	567	1	12
XL-MT120-H02	Left				

No.	Parts Name	Material	Finish
①	Body	304 Stainless Steel	Satin
②	Spacer	Polypropylene	Plain
③	Emergency Release Pin	Brass	Chrome
④	Strike	304 Stainless Steel	Satin