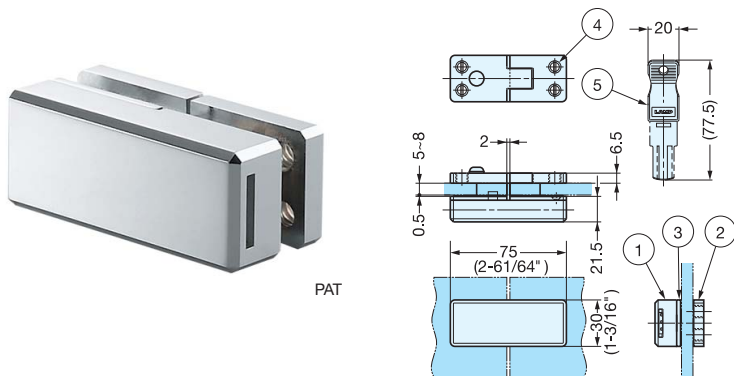


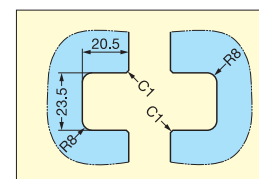
GLASS LOCK (FOR DOUBLE DOORS)

XL-GC01

GLASS HARDWARE



- Dual locking mechanism. Locks both doors at once with the insert of a key.
- Key hole located on the side for smart design.
- Key works as a knob in unlocked position.



Cut Out Dimension

Item No.	Glass Thickness (mm)	Key Changes	Key (pcs)	Weight (g)	Box (pcs)	Carton (pcs)
XL-GC01-C	5~8	24	2	406	1	24

No.	Part Name	Material	Finish / Color
①	Body	Zinc Alloy	Chrome
②	Counterplate		
③	Spacer	Polyvinyl Chloride (PVC)	Clear
④	Screws	304 Stainless Steel	Plain
⑤	Key	Brass	Nickel

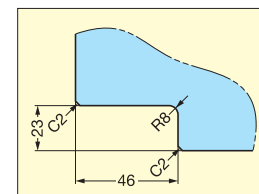
GLASS SHOWCASE HARDWARE

GLASS PIVOT HINGE (INSET)

XL-GC04



- Inset-type hinge for glass cabinet.
- 1 pair (Top / Bottom) per set.
- Door Size: Max. W500xH1200



Cut Out Dimension

Item No.	Glass Thickness (mm)	Load Capacity (kg)	Weight (g)	Box (pairs)	Carton (pairs)
XL-GC04-C	5~8	12 (26.5 lbs) / Door	560	1	24

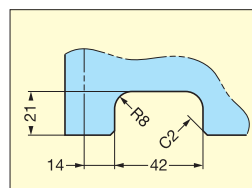
No.	Part Name	Material	Finish / Color
①	Body	Zinc Alloy	Chrome
②	Bottom Plate	Steel	Chrome
③	Plate		
④	Spacer	Synthetic Rubber	Black
⑤	Screws	304 Stainless Steel	Plain

GLASS BRACKET

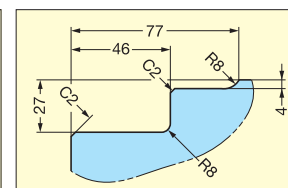
XL-GC05



- Top board hinge bracket for glass cabinet.
- To be used with XL-GC04.



Cut Out Dimension (Top Board)



Cut Out Dimension (Glass Door)

Item No.	Type	Glass Thickness (mm)	Weight (g)	Box (pcs)	Carton (pcs)
XL-GC05-R-C	Right	8	174	1	24
XL-GC05-L-C	Left				

No.	Part Name	Material	Finish / Color
①	Bracket	Zinc Alloy	Chrome
②	Spacer	Synthetic Rubber	Black
③	Screws	304 Stainless Steel	Plain