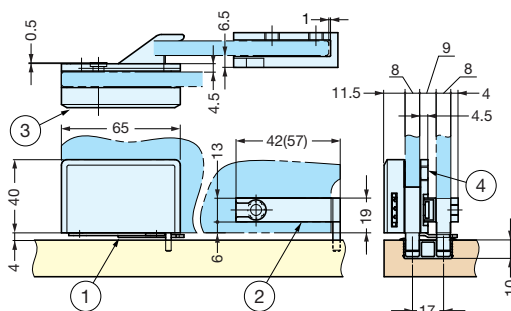
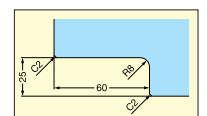


GLASS LOCK (FOR SLIDING DOOR)

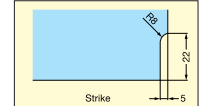
XL-GC03



• Key hole located on the side for smart design.



Cut Out Dimension (Body)



Cut Out Dimension (Strike)

No.	Part Name	Material	Finish / Color
①	Body	Zinc Alloy	Chrome
②	Strike	304 Stainless Steel	Plain
③	Spacer	Synthetic Rubber	Black
④	Screws	304 Stainless Steel	Plain
⑤	Key	Brass	Nickel

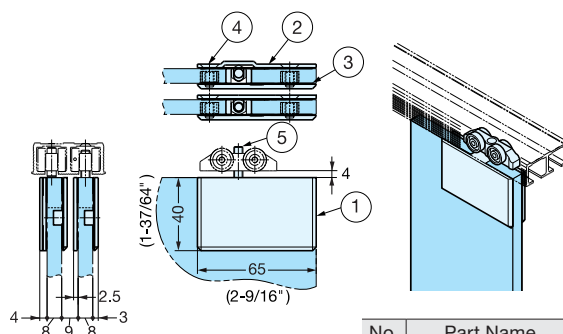
Item No.	Glass Thickness (mm)	Key Changes	Key (pcs)	Weight (g)	Box (pcs)	Carton (pcs)
XL-GC03-C	8	24	2	351	1	24

UPPER BRACKET (FOR SLIDING DOOR)

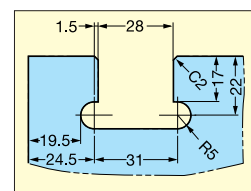
XL-GC06



PAT.P



• 4 pcs per set
• Roller (53-3061-081) sold separately.
• Door Size: Max. W500xH1200



Cut Out Dimension

No.	Part Name	Material	Finish / Color
①	Body	Zinc Alloy	Chrome
②	Backplate	Steel	
③	Double sided tape	Synthetic Rubber	Clear
④	Screws	304 Stainless Steel	Plain
⑤	Bolt	Steel	Clear Zinc Chromate

Item No.	Glass Thickness (mm)	Load Capacity (kg)	Weight (g)	Box (sets)	Carton (sets)
XL-GC06-C	8	12 (26.5lbs) / Door	400	1	24

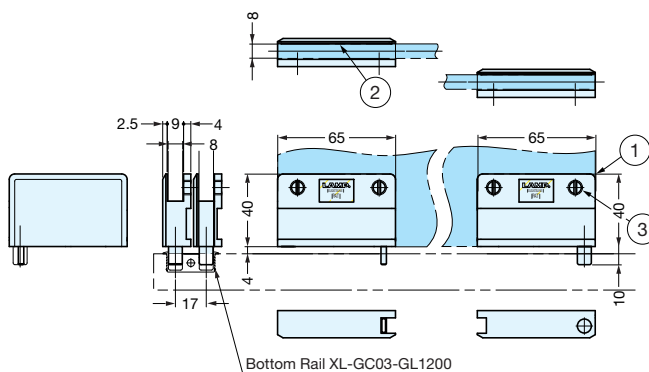
BOTTOM GUIDE BRACKET (FOR SLIDING DOOR)

XL-GC08

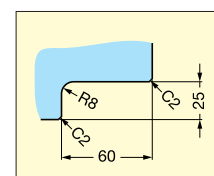
• 1 pair (Left / Right) per set



PAT.P



Bottom Rail XL-GC03-GL1200



Cut Out Dimension

No.	Part Name	Material	Finish / Color
①	Body (Left)	Zinc Alloy	Chrome
②	Body (Right)	Zinc Alloy	Chrome
③	Screws	304 Stainless Steel	Plain

Item No.	Glass Thickness (mm)	Weight (g)	Box (pairs)	Carton (pairs)
XL-GC08-C	8	360	1	24