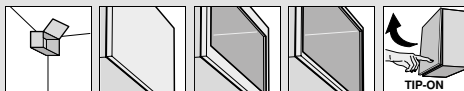


Lift systems



- ▶ AVENTOS HK-XS – stay lift
- ▶▶ Standard | TIP-ON



Wooden fronts, wide and narrow alu frames

Webcode

DQDDVY



- Well-suited for low frontal heights in the wall cabinet, the high cabinet and over the refrigerator
- Cabinet height KH 240–600 mm
- Internal cabinet depth LT min. 125 mm (100 mm)
- Closes silently and effortlessly in conjunction with CLIP top BLUMOTION hinges
- TIP-ON for handle-less stay lifts with CLIP top unsprung hinges
- Light operating forces
- Perfect motion with a variable stop
- Simple, infinitely variable lift mechanism

Power factor LF

Cabinet height KH (mm) x door weight incl. double handle weight (kg)

A trial application is recommended when you are in a borderline area of the individual lift mechanism.

 Standard

 TIP-ON

Order information

1	<input type="checkbox"/>	Lift mechanism (symmetrical)	Power factor LF	Opening angle	Part no.
			200–1000	105°	20K1101
			500–1500	105°	20K1301
			800–1800	105°	20K1501

Note

The power factor LF is doubled when used on two sides

¹ For hinges with smaller opening angles, these are limited by the hinges

1	<input checked="" type="checkbox"/>	Lift mechanism, symmetrical, for TIP-ON	Power factor LF	Opening angle	Part no.
			180–800	105°	20K1101T
			500–1200	105°	20K1301T
			800–1600	105°	20K1501T

Note

The power factor LF is doubled when used on two sides

¹ For hinges with smaller opening angles, these are limited by the hinges

2	<input type="checkbox"/>	Cabinet fixing	Fixing method	Part no.
			Screw-on	20K5101
			EXPANDO	20K51E1

4	<input type="checkbox"/>	Front fixing bracket	Version	Fixing method	Part no.
			Wooden fronts and wide alu frames	Screw-on	20K4101
			Wooden fronts	EXPANDO	20K41E1
			Narrow alu frames	Screw-on	20K4101A

² Use 2 chipboard screws (609.1x00) for wooden fronts

² Use 2 counter sunk self tapping screws (660.0950) for wide alu frames

6	<input checked="" type="checkbox"/>	TIP-ON set	Version	Cabinet height KH (mm)	Part no.
			Short version	Up to 600	956.1004

Composed of:

6a	1 x	TIP-ON
6b	1 x	Screw-on catch plate
6c	1 x	Glue-on catch plate
–	1 x	Chipboard screw 609.1500

10	<input type="checkbox"/>	CLIP top BLUMOTION 110° hinge	Recommendation	Part no.
			Boss	Spring
			INSERTA	With spring
			Screw-on	With spring
				Part no.
				71B3590
				71B3550

Three hinges starting at cabinet width 900 mm and/or power factor LF 1800

Four hinges with cabinet width 1200 mm and/or starting at power factor LF 2700

Alternative

CLIP top BLUMOTION hinges: 107°, profile door, 95° aluminium frame hinge and/or CLIP top hinges: 100°, 107°, profile door, 95° aluminium frame hinge in combination with BLUMOTION 973A – clip-on version

10	<input checked="" type="checkbox"/>	CLIP top 110° hinge	Recommendation	Part no.
			Boss	Spring
			INSERTA	Unsprung
			Screw-on	Unsprung
				Part no.
				70T3590.TL
				70T3550.TL

Three hinges starting at cabinet width 900 mm and/or power factor LF 1800

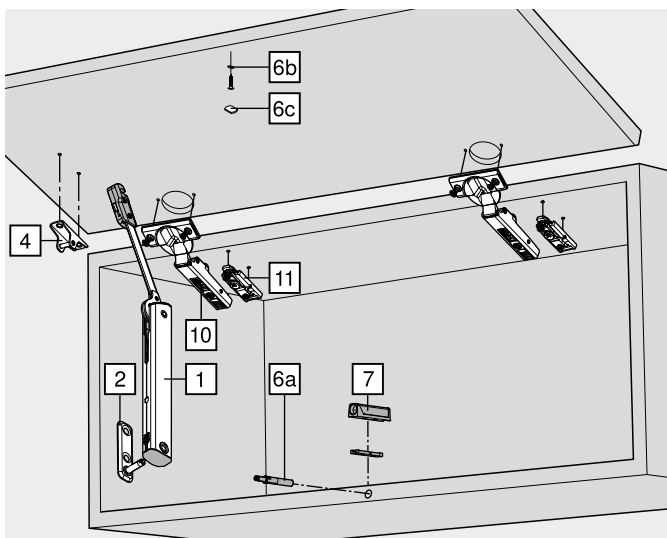
Four hinges with cabinet width 1200 mm and/or starting at power factor LF 2700

Alternative

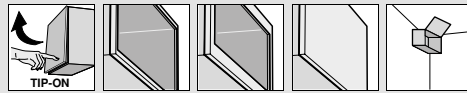
CLIP top hinges: 100°, 107°, profile door, 95° aluminium frame hinge (unsprung hinge)

11	<input type="checkbox"/>	Mounting plate	Recommendation	Part no.
			Fixing method	Spacing (mm)
			Screw-on	0
			EXPANDO	0
				Part no.
				175H3100
				177H3100E

Standard mounting plates, distance depends on the top gap



AVENTOS HK-XS – stay lift ◀
Standard | TIP-ON ◀◀



Lift systems



Wooden fronts, wide and narrow alu frames

Webcode
DQDDVY

Order information

a Accessories

Opening angle stop			
Opening angle	Colour	Part no.	
86°	TGR	70T3553	

For CLIP top BLUMOTION 110° | CLIP top 110° hinge

Adapter plate			
Version	Colour	Part no.	
Inline adapter plate – short version	SW TS R7036 NI-L	956.1201	
Cruciform adapter plate – long version	R7036	956A1501	

Colour		Colour	
HGR	Light grey	R7036	RAL 7036 platinum grey
SW	Silk white	R7037	RAL 7037 dust grey
TGR	Dark grey	NI-L	Nickel lacquered
TS	Terra black		

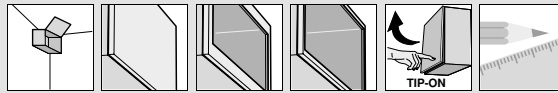
Page instructions

Overview – AVENTOS HK-XS	81	Assembly, removal and adjustment	
Mounting plates	172		
Planning	84	Short-URL	
Accessories – general	88		
Overview – assembly devices	595	www.blum.com/a160	
Reference values for door weights	692		
More technical details	686		

Lift systems



- ▶ AVENTOS HK-XS – stay lift
- ▶▶ Standard | TIP-ON

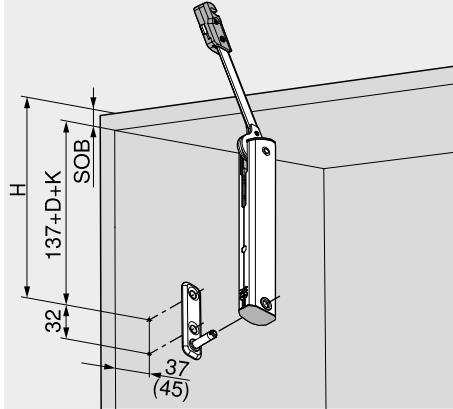


Wooden fronts, wide and narrow alu frames

Webcode
DQDDVY

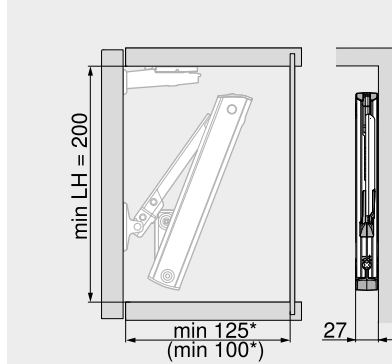
Planning

Drilling position

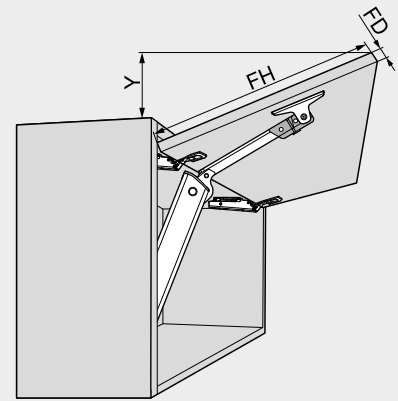


- H = 137 + D + K + SOB
- D Mounting plate spacing
- K Cranking of hinge arm
- SOB Top panel thickness
- () Internal cabinet depth 100 mm

Space requirement



- LH Internal cabinet height
- * Min. 200 mm with visible wall hanging bracket



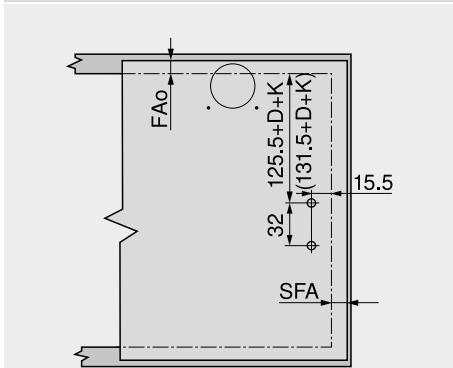
CLIP top BLUMOTION 110° hinge

$Y = (FH - X) \times 0.3$

Front thickness FD (mm)	16	19	22	24
X (mm)	45	34	23	15

FH Front height

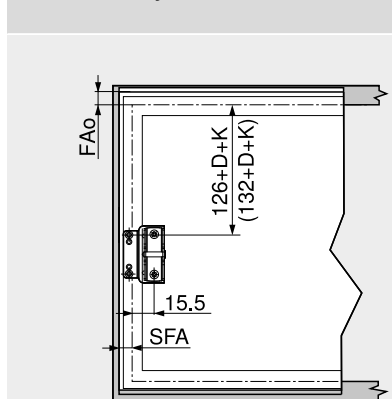
Front assembly – wooden fronts and wide alu frames



Use 2 chipboard screws (609.1x00) for wooden fronts
Use 2 counter sunk self tapping screws (660.0950) for wide alu frames

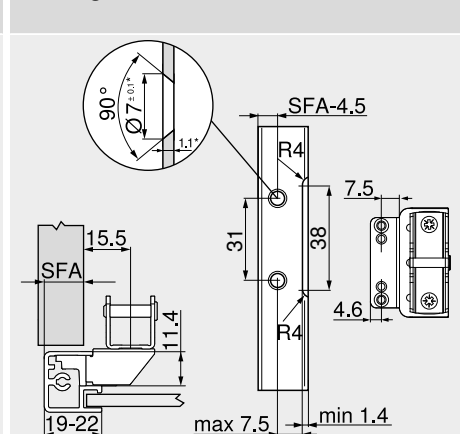
- FAo Upper front overlay
- SFA Front overlay of the side panel
- D Mounting plate spacing
- K Cranking of hinge arm
- () Internal cabinet depth 100 mm

Front assembly – narrow alu frames



- FAo Upper front overlay
- SFA Front overlay of the side panel
- D Mounting plate spacing
- K Cranking of hinge arm
- () Internal cabinet depth 100 mm

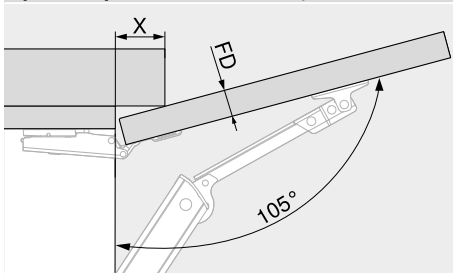
Planning – narrow alu frames



For frame width 19 mm, a side front overlay SFA of 11–18 mm is possible

* When changing material thickness, adjust the assembly dimensions accordingly

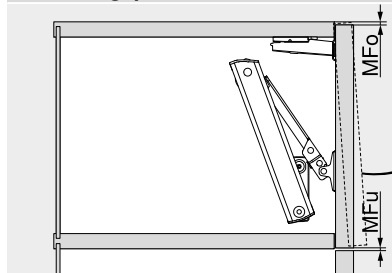
Space requirement – cornice | crown



CLIP top BLUMOTION 110° hinge

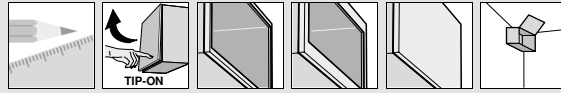
Front thickness FD (mm)	16	19	22	24
X (mm)	45	34	23	15

Minimum gap



MFo Minimum gap at the top depending on the hinge used

MFu Minimum gap at the bottom 1.5 mm



Wooden fronts, wide and narrow alu frames

Webcode
DQDDVY

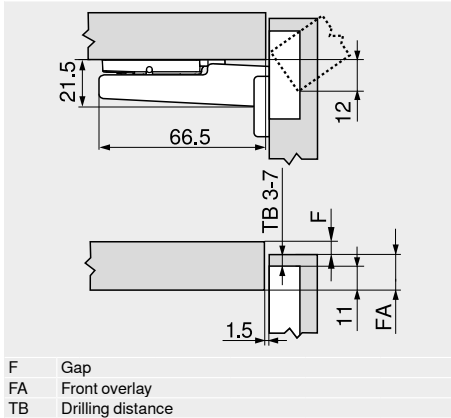
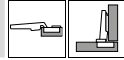
Planning

CLIP top BLUMOTION 110° | CLIP top 110°

Hinge dimensions and gap calculation based on factory setting (mounting plate spacing = 0 mm)

Hinge and front protrusion at full opening angle

Overlay application



Minimum gap F for fronts with a front radius (R = 1 mm) based on the factory setting

Drilling distance TB (mm)	Front thickness FD (mm)											
	16	18	19	20	21	22	23	24	25	26	28	30
3	0.5	0.8	1.0	1.2	1.5	1.8	2.2	2.7	3.5	4.3	Δ	Δ
4	0.5	0.8	1.0	1.2	1.4	1.7	2.0	2.5	3.1	3.8	Δ	Δ
5	0.5	0.8	0.9	1.2	1.4	1.7	2.0	2.4	2.9	3.4	Δ	Δ
6	0.5	0.8	0.9	1.2	1.3	1.6	1.9	2.3	2.7	3.2	Δ	Δ
7	0.5	0.8	0.9	1.1	1.3	1.6	1.9	2.2	2.6	3.0	Δ	Δ
Additional for +2 mm height adjustment												
	+0.2	+0.4	+0.4	+0.5	+0.5	+0.5	+0.5	+0.5	+0.5	+0.5	+0.5	+0.5

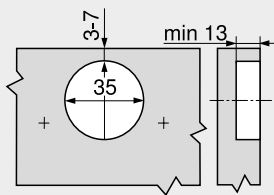
Δ In these cases a trial is recommended

Drilling distance TB

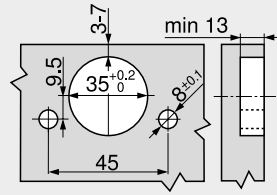
MD	Front overlay FA (mm)																		
	5	6	7	8	9	10	11	12	13	14	15	16	17	18					
0															3	4	5	6	7
3										3	4	5	6	7					
6					3	4	5	6	7										
9	3	4	5	6	7														

MD Mounting plate spacing (mm)

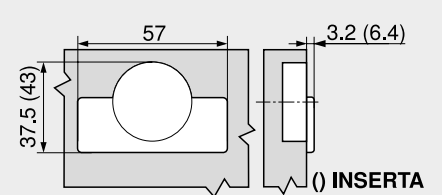
Screw-on



INSERTA | knock-in



Hinge boss dimensions



Page instructions

Overview – AVENTOS HK-XS	81	Assembly, removal and adjustment
Overview – assembly devices	595	
More technical details	686	



Short-URL
www.blum.com/a160