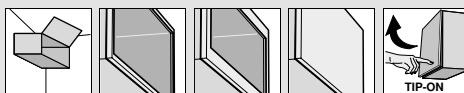


Lift systems



- ▶ AVENTOS HK – stay lift
- ▶▶ TIP-ON



Wooden fronts, wide and narrow alu frames – TIP-ON

Webcode

DQDCHA



- TIP-ON for handle-less lift systems
- Cabinet height KH 205–600 mm
- Cabinet width KB up to 1800 mm
- For drilling or in combination with adapter plates

Power factor LF

Cabinet height KH (mm) x door weight incl. double handle weight (kg)

We recommend the more powerful lift mechanism for overlapping areas.

Order information

1	Lift mechanism set for TIP-ON		
	Power factor LF	Opening angle	Part no.
	480–1500	107°	20K2300T
	750–2500	107°	20K2500T
	1500–4900	107°	20K2700T
	3200–9000	100°	20K2900T

Composed of:

- 1 2 x Lift mechanism (symmetrical)
- 6 x Chipboard screws Ø 4 x 35 mm

Max. door weight 18 kg for two lift mechanisms.

When using a third lift mechanism (a power factor increase of up to 50 %), we recommend a trial application

¹ Pre-mounted opening angle stop

3	Cover cap set		
	Material	Colour	Part no.
	Nylon	HGR SW TGR	20K8000

Composed of:

- 3a 1 x Cover cap large left
- 3b 1 x Cover cap large right
- 3c 2 x Cover cap small

4	Front fixing bracket set		
	Version		Part no.
	Wooden fronts and wide alu frames	¹	20S4200
	Narrow alu frames		20S4200A

¹ Use 4 chipboard screws (609.1x00) per side for wooden fronts

¹ Use 4 counter sunk self tapping screws (660.0950) per side for wide alu frames

4	Front fixing bracket		
	Version		Part no.
	Thin fronts		20S42T1

EXPANDO T suitable for thin fronts – see page instructions

6	TIP-ON set		
	Version	Cabinet height KH (mm)	Part no.
	Short version	Up to 500	956.1004
	Extended version	Starting at 501	956A1004

Composed of:

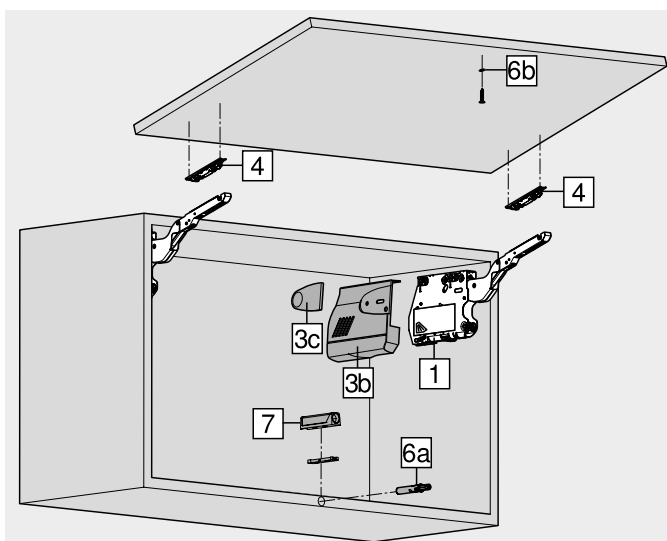
- 6a 1 x TIP-ON
- 6b 1 x Screw-on catch plate
- 1 x Chipboard screw 609.1500
- 1 x Glue-on catch plate

a Accessories

–	Opening angle stop		
	Opening angle	Colour	Part no.
	100°	TGR	20K7041
	75°	R7037	20K7011

7	Adapter plate		
	Version	Colour	Part no.
	Inline adapter plate – short version	SW TS R7036 NI-L	956.1201
	Inline adapter plate – long version	SW TS R7036 NI-L	956A1201
	Cruciform adapter plate – long version	R7036	956A1501

Colour		Colour	
HGR	Light grey	R7037	RAL 7037 dust grey
SW	Silk white	R7036	RAL 7036 platinum grey
TGR	Dark grey	NI-L	Nickel lacquered
TS	Terra black		



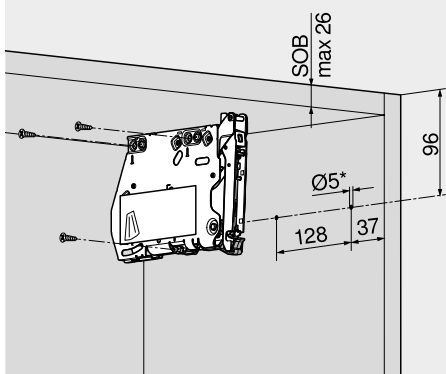


Wooden fronts, wide and narrow alu frames – TIP-ON

Webcode
DQDCHA

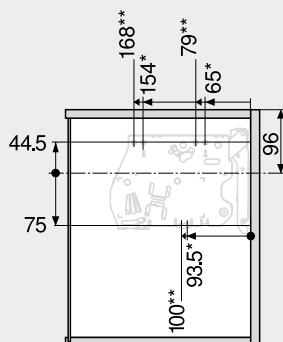
Planning

Peg position



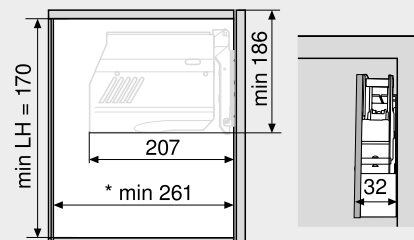
SOB Top panel thickness
* Drilling depth 5 mm

Fixing position



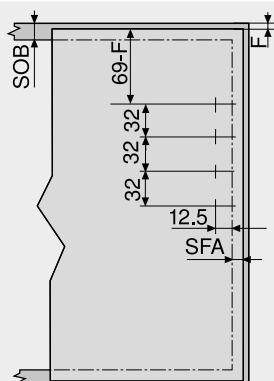
3 x chipboard screws Ø 4 x 35 mm
* Left
** Right

Space requirement



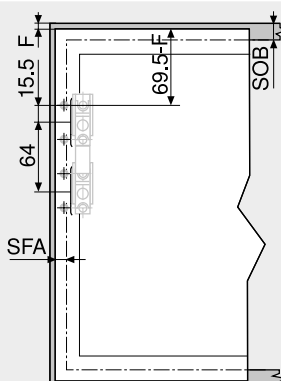
* Min. 261 mm with visible wall hanging bracket

Front assembly – wooden fronts and wide alu frames



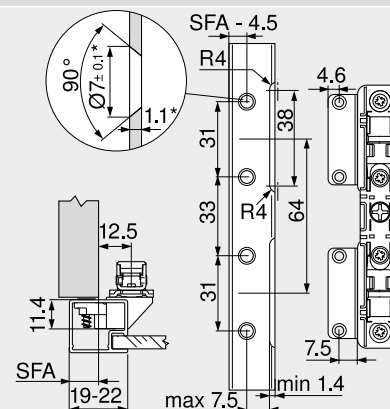
Use 4 chipboard screws (609.1x00) for wooden fronts
Use 4 counter sunk self tapping screws (660.0950) for wide alu frames
SOB Top panel thickness
F Gap
SFA Front overlay of the side panel

Front assembly – narrow alu frames



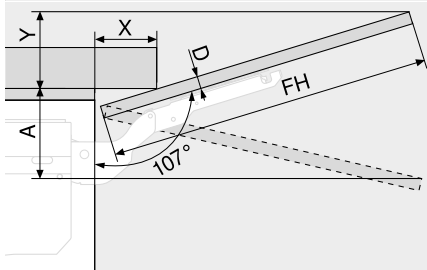
SOB Top panel thickness
F Gap
SFA Front overlay of the side panel

Planning – narrow alu frames



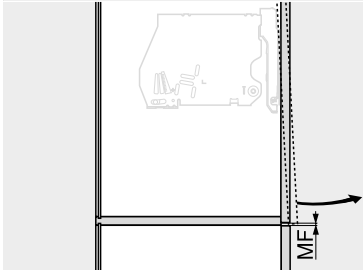
For frame width 19 mm, a side front overlay SFA of 11–18 mm is possible
* When changing material thickness, adjust the assembly dimensions accordingly

Space requirement – cornice | crown



Opening angle stop	Space requirement (mm)			
Without	$Y = FH \times 0.29 - 15 + D$			
100°	$Y = FH \times 0.17 - 15 + D$			
75°	$A = FH \times 0.26 + 15 - D$			
FH Front height				
D (mm)	16	19	22	26
X (mm)	70	59	49	35
			26	26

Minimum gap



MF Minimum gap 2 mm

Page instructions

Overview – AVENTOS HK	65
TIP-ON 956x	72
Fixing system for thin fronts – EXPANDO T	588
Assembly recommendation and limitation of liability – EXPANDO T	589
Overview – assembly devices	595
More technical details	686
Assembly, removal and adjustment	



Short-URL

www.blum.com/a140