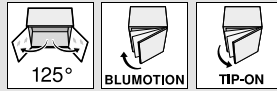


Hinge systems

blum

- ▶ CLIP top BLUMOTION / CLIP top – hinges
- ▶▶ Glass door application



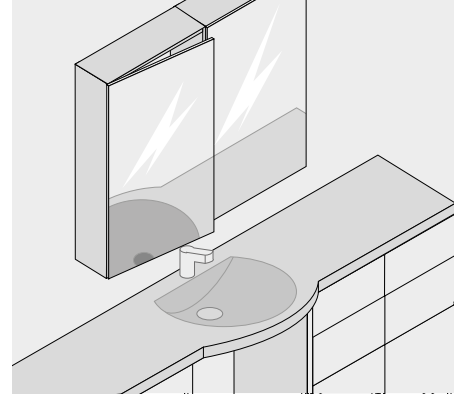
CRISTALLO hinge

Webcode
DQDN1A

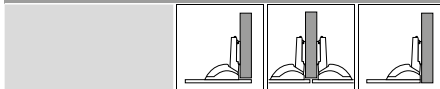


- Hinge for glass and mirror doors
- Adhesion plate is glued onto glass (no glass drilling necessary)
- Tool-free hinge to adhesion plate assembly
- CLIP top with or without closing mechanism (spring)
- 125° opening angle
- 3-dimensional front adjustment
- Convenient spiral-tech depth adjustment
- Tool-free door to cabinet assembly and removal

Application



Order information



The different applications can be achieved through relevant adhesion positions.

Boss Hinge		CRISTALLO 125°	
Hinge	Spring	Part no.	
CLIP top	●	79C450BT	
CLIP top	○	78C450BT	
● With spring		○ Unsprung	

Limitation of liability

If the Blum fittings are installed according to instructions and on suitable glass and mirror fronts, they will meet the requirements concerning the stability of the connection.

CRISTALLO adhesion plate		
Glue-on		
Front material	Colour	Part no.
Glass/mirror	Matt-nickel plated	78C4568
Mirror	Special nickel plated	78C4568

This is monitored through internal and external testing.

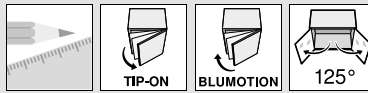
As the adhesive and/or the adhesive process are beyond our control, Blum cannot accept liability for claims arising from the failure or malfunction of this/these process/es.

Recommended mounting plates		
Spacing (mm)	Material	Part no.
0	Steel	173L8300

It is recommended that the adhesive be applied by an experienced glass manufacturer.

a Accessories		
BLUMOTION 973A		
Version	Part no.	
Clip on	973A9000	
Hinge arm cover cap		
Print/Stamp	Logo	Part no.
Plain	–	70.1553
Screen print	Blum	70.1553.BL

a Accessories – general		
TIP-ON for doors		
Version	Spring	Part no.
Short version	○	956.1004
Extended version	○	956A1004
Extended version	●	956A1006
● With spring		○ Unsprung



CRISTALLO hinge

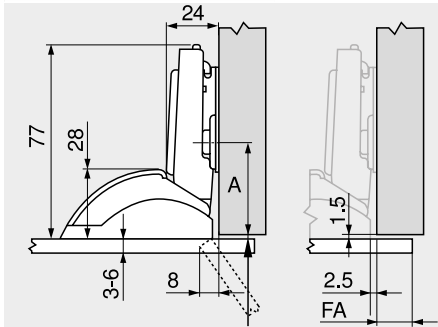
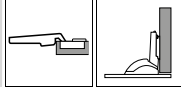
Webcode
DQDN1A

Planning

Hinge dimensions and gap calculation based on factory setting (mounting plate spacing = 0 mm)

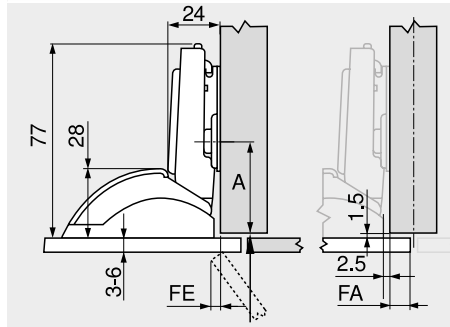
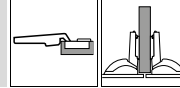
Hinge and front protrusion at full opening angle

Overlay application



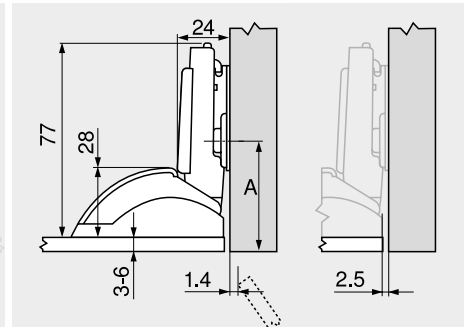
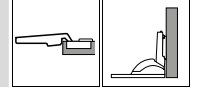
A	Cabinet front edge to centre of mounting plate drilling 29 mm with mounting plate A20 37 mm with mounting plate A28 46 mm with mounting plate A37
FA	Front overlay

Dual application



A	Cabinet front edge to centre of mounting plate drilling 29 mm with mounting plate A20 37 mm with mounting plate A28 46 mm with mounting plate A37
FA	Front overlay
FE	Front protrusion

Inset application



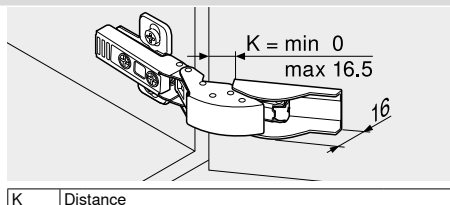
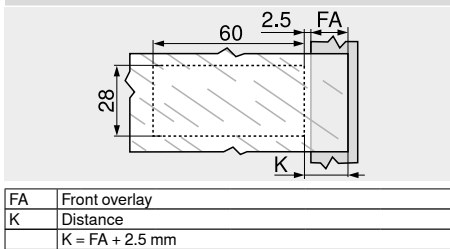
A	Cabinet front edge to centre of mounting plate drilling 30.5 mm + front thickness FD with mounting plate A20 38.5 mm + front thickness FD with mounting plate A28 47.5 mm + front thickness FD with mounting plate A37
---	---------------------------------------------------------------------------------------------------------------------------------------------------------------------------------------------------------------------------------

distance

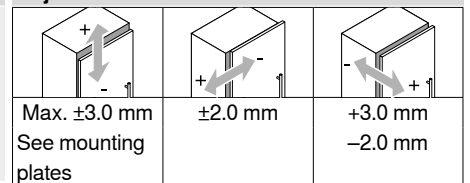
MD	Front overlay FA (mm)												
	-2.5	-1	0.5	2	3.5	5	6.5	8	9.5	11	12.5	14	
0	0	1.5	3	4.5	6	7.5	9	10.5	12	13.5	15	16.5	
3	3	4.5	6	7.5	9	10.5	12	13.5	15	16.5			
6	6	7.5	9	10.5	12	13.5	15	16.5					
9													
MD	Mounting plate spacing (mm)												

Due to the risk of breakage to glass and mirror doors, sufficient surrounding gaps are required (recommendation: min 2 mm).

distance



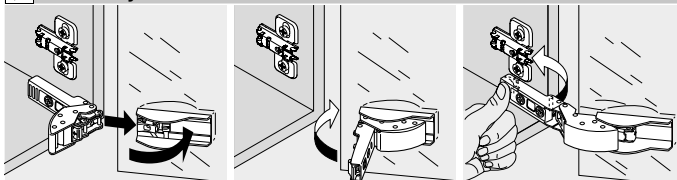
Adjustment



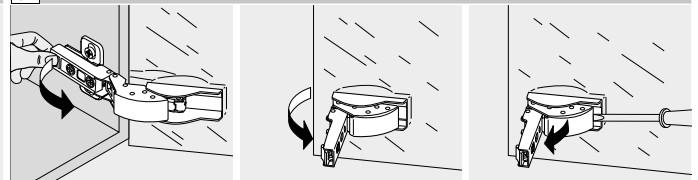
Note

Please contact your glass or door supplier concerning the right adhesive and its use in fixing the adhesive plate onto glass and mirror doors.

Assembly



Removal



Page instructions

Overview – CLIP top BLUMOTION / CLIP top – hinges	107	Overview – BLUMOTION for doors	539
Mounting plates	186	Overview – TIP-ON for doors	653
Accessories – hinge arm cover cap	193	Assembly, removal and adjustment	196
Accessories – general	194	Overview – assembly devices	683
		More technical details	774