

Hinge systems



- ▶ **MODUL – hinges**
- ▶▶ **Standard application**



Hinge systems

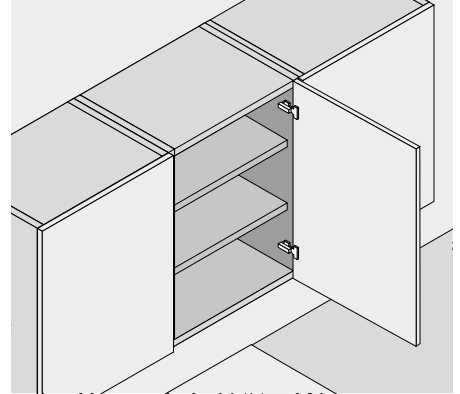
100° hinge

Webcode
DQE3XA



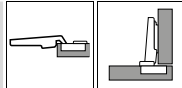
- **MODUL** with closing mechanism (spring)
- Slide on hinge arm
- All metal hinge, nickel plated
- 100° opening angle
- 3-dimensional front adjustment

Application



Order information

Overlay application



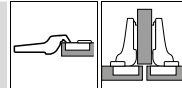
<input type="checkbox"/> Boss		<input type="checkbox"/> Screw-on	
Hinge	Spring	Part no.	
MODUL	<input checked="" type="radio"/>	91M2550	
<input checked="" type="radio"/> With spring	<input type="radio"/> Unsprung		

<input type="checkbox"/> Boss		<input type="checkbox"/> Knock-in	
Hinge	Spring	Part no.	
MODUL	<input checked="" type="radio"/>	91M2580	

a Accessories

<input type="checkbox"/> Hinge arm cover cap		
Print/Stamp	Logo	Part no.
Plain	–	90M2503
Stamped	Blum	90M2503.BP

Dual application



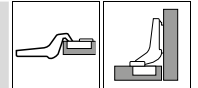
<input type="checkbox"/> Boss		<input type="checkbox"/> Screw-on	
Hinge	Spring	Part no.	
MODUL	<input checked="" type="radio"/>	91M2650	
<input checked="" type="radio"/> With spring	<input type="radio"/> Unsprung		

<input type="checkbox"/> Boss		<input type="checkbox"/> Knock-in	
Hinge	Spring	Part no.	
MODUL	<input checked="" type="radio"/>	91M2680	

a Accessories

<input type="checkbox"/> Hinge arm cover cap		
Print/Stamp	Logo	Part no.
Plain	–	90M2603
Screen print	Blum	90M2603.BL

Inset application



<input type="checkbox"/> Boss		<input type="checkbox"/> Screw-on	
Hinge	Spring	Part no.	
MODUL	<input checked="" type="radio"/>	91M2750	
<input checked="" type="radio"/> With spring	<input type="radio"/> Unsprung		

<input type="checkbox"/> Boss		<input type="checkbox"/> Knock-in	
Hinge	Spring	Part no.	
MODUL	<input checked="" type="radio"/>	91M2780	

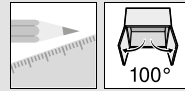
a Accessories

<input type="checkbox"/> Hinge arm cover cap		
Print/Stamp	Logo	Part no.
Plain	–	90M2603
Screen print	Blum	90M2603.BL

a Accessories – general

<input type="checkbox"/> Chipboard screws		
Ø (mm)	Length (mm)	Part no.
3.5	15	609.1500
3.5	17	609.1700

<input type="checkbox"/> Insertion ram		
Material	Colour	Part no.
Nylon	Orange	MZM.0040



100° hinge

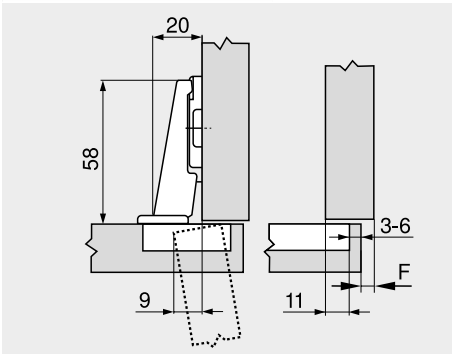
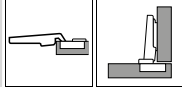
Webcode
DQE3XA

Planning

Hinge dimensions and gap calculation based on factory setting (mounting plate spacing = 0 mm)

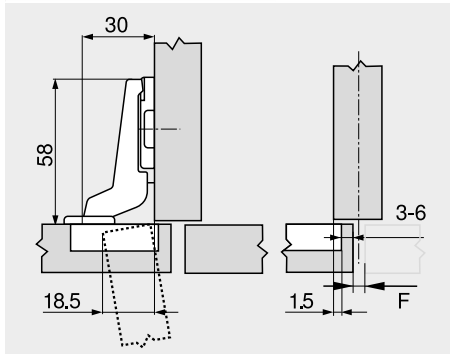
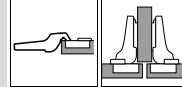
Hinge and front protrusion at full opening angle

Overlay application

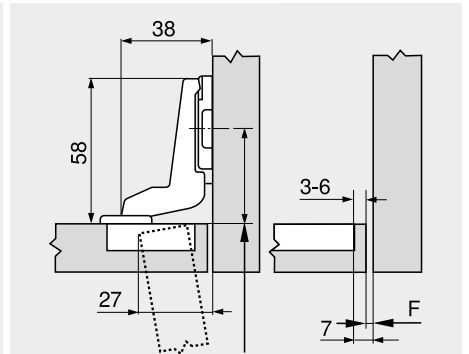
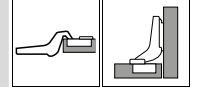


F Gap

Dual application



Inset application



Set mounting plate back by door thickness

Drilling distance TB

MD	Front overlay FA (mm)																		
	5	6	7	8	9	10	11	12	13	14	15	16	17						
0																3	4	5	6
3																			
9	3	4	5	6															
-																			
MD	Mounting plate spacing (mm)																		

MD	Front overlay FA (mm)												
	-4.5	-3.5	-2.5	-1.5	-0.5	0.5	1.5	2.5	3.5	4.5	5.5	6.5	7.5
0													
3													
9	3	4	5	6									
-													
MD	Mounting plate spacing (mm)												

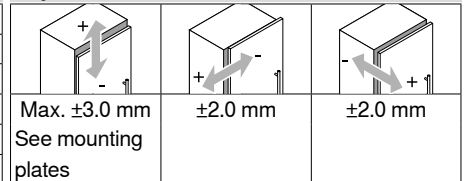
MD	Front overlay FA (mm)					
	-4	-3	-2	-1		
0						
3						
9	3	4	5	6		
-						
MD	Mounting plate spacing (mm)					

Minimum gap (F) for fronts with a front radius (R = 1 mm) based on the factory setting

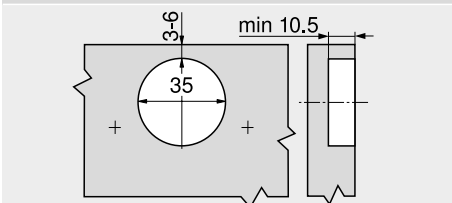
TB	Drilling distance TB (mm)	Front thickness FD (mm)											
		16	18	19	20	21	22	24	26	28	30	31	32
TB	3	0.3	0.5	0.7	1.0	1.3	1.6	3.3	Δ	Δ	Δ	Δ	Δ
	4	0.3	0.5	0.7	1.0	1.2	1.6	3.2	Δ	Δ	Δ	Δ	Δ
	5	0.3	0.5	0.7	0.9	1.2	1.5	2.6	Δ	Δ	Δ	Δ	Δ
	6	0.3	0.5	0.7	0.9	1.1	1.4	2.4	Δ	Δ	Δ	Δ	Δ
		Additional for +2 mm side adjustment											
		+0.1	+0.3	+0.3	+0.4	+0.4	+0.5	+0.4					

Δ In these cases a trial is recommended

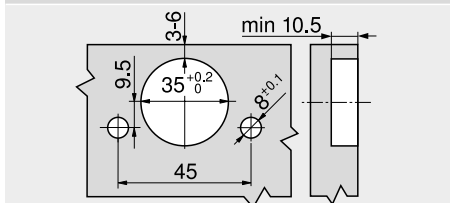
Adjustment



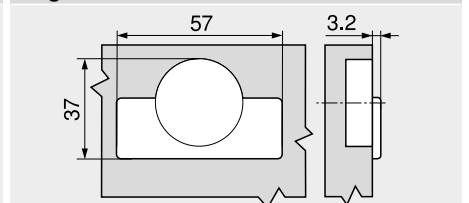
Screw-on



Knock-in



Hinge boss dimensions



Page instructions

Overview – MODUL – hinges	199	More technical details	774
Mounting plates	206		
Accessories – hinge arm cover cap	209		
Accessories – general	210		
Assembly, removal and adjustment	212		
Overview – assembly devices	683		