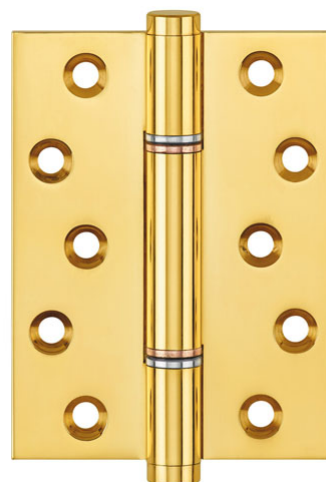


SAMSON - Ref. 1850

Suitable for heavy weight flush doors tested to BS EN 1935 Grade 12 - 100 kg



Product features

- solid brass high performance hinge
- weight carrying capacity to 100 kg
- suitable for heavy weight flush doors tested to BS EN 1935 Grade 12
- CE marked FD30 and FD60 fire rated options
- maintenance free, 25 year performance guarantee
- security bolt and radius corner options available

Technical details

Attributes	Value
Load capacity	100.0 kg
Knuckle diameter	13.0 mm
Overall length	100.0 mm
Overall width	75.0 mm
Material thickness	3.5 mm
Screws	10.0 x 32.0 mm

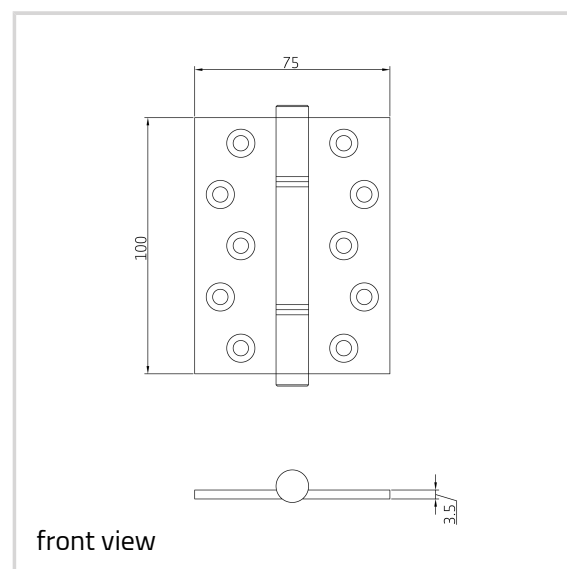
Note

Supplied complete with pozi/slotted head brass woodscrew if required.

Classification key

4	7	5	1 ^{*1}	1	4	0	12
---	---	---	-----------------	---	---	---	----

*1 Test evidence for functional doors to be achieved with full door sets and assemblies.



SAMSON - SAMSON - Ref. 1850

Item

Finish(es)	Aged Brass (UK 501)
OF-NR.	UK 501
VPE	10 pcs
DIN	DIN right and left hand
Item No.	1850
Finish(es)	Antique Brass (UK 502)
OF-NR.	UK 502
VPE	10 pcs
DIN	DIN right and left hand
Item No.	1850
Finish(es)	Antique nickel (UK 503)
OF-NR.	UK 503
VPE	10 pcs
DIN	DIN right and left hand
Item No.	1850
Finish(es)	Black nickel (UK 504)
OF-NR.	UK 504
VPE	10 pcs
DIN	DIN right and left hand
Item No.	1850
Finish(es)	Copper Bronze (UK 505)
OF-NR.	UK 505
VPE	10 pcs
DIN	DIN right and left hand
Item No.	1850
Finish(es)	Copper (UK 506)
OF-NR.	UK 506
VPE	10 pcs
DIN	DIN right and left hand
Item No.	1850
Finish(es)	Honeycombe (UK 507)
OF-NR.	UK 507
VPE	10 pcs
DIN	DIN right and left hand

SAMSON - SAMSON - Ref. 1850

Item No.	1850
Finish(es)	Imitation Bronze (UK 508)
OF-NR.	UK 508
VPE	10 pcs
DIN	DIN right and left hand
Item No.	1850
Finish(es)	Midnight (UK 509)
OF-NR.	UK 509
VPE	10 pcs
DIN	DIN right and left hand
Item No.	1850
Finish(es)	Pearl Nickel (UK 510)
OF-NR.	UK 510
VPE	10 pcs
DIN	DIN right and left hand
Item No.	1850
Finish(es)	Polished Chrome (UK 511)
OF-NR.	UK 511
VPE	10 pcs
DIN	DIN right and left hand
Item No.	1850
Finish(es)	Polished & Lacquered (UK 512)
OF-NR.	UK 512
VPE	10 pcs
DIN	DIN right and left hand
Item No.	1850
Finish(es)	Polished Nickel (UK 513)
OF-NR.	UK 513
VPE	10 pcs
DIN	DIN right and left hand
Item No.	1850
Finish(es)	Satin Brass & Lacquered (UK 514)
OF-NR.	UK 514
VPE	10 pcs
DIN	DIN right and left hand
Item No.	1850

SAMSON - SAMSON - Ref. 1850

Finish(es)	Satin Chrome (UK 515)
OF-NR.	UK 515
VPE	10 pcs
DIN	DIN right and left hand
Item No.	1850
Finish(es)	Satin nickel (UK 516)
OF-NR.	UK 516
VPE	10 pcs
DIN	DIN right and left hand
Item No.	1850
Finish(es)	PVD Brass (UK 517)
OF-NR.	UK 517
VPE	10 pcs
DIN	DIN right and left hand
Item No.	1850
Finish(es)	PVD Copper rose (UK 518)
OF-NR.	UK 518
VPE	10 pcs
DIN	DIN right and left hand
Item No.	1850
Finish(es)	PVD Matt black (UK 519)
OF-NR.	UK 519
VPE	10 pcs
DIN	DIN right and left hand
Item No.	1850
Finish(es)	PVD Rainbow (UK 520)
OF-NR.	UK 520
VPE	10 pcs
DIN	DIN right and left hand
Item No.	1850
Finish(es)	PVD Stainless steel effect (UK 521)
OF-NR.	UK 521
VPE	10 pcs
DIN	DIN right and left hand
Item No.	1850