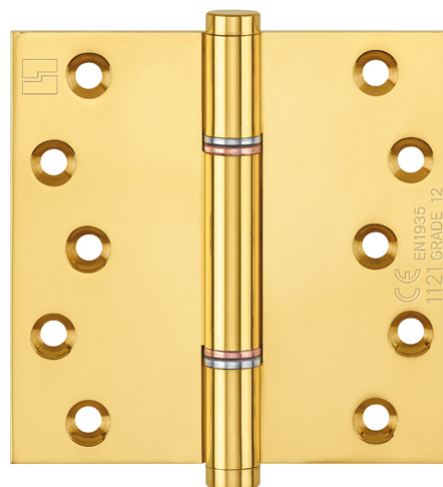


## SAMSON - Ref. P1860 CE

Suitable for heavy weight flush doors tested to BS EN 1935 Grade 12 - 100 kg



### Product features

- solid brass high performance hinge
- weight carrying capacity to 100 kg
- suitable for heavy weight flush doors tested to BS EN 1935 Grade 12
- CE marked FD30 and FD60 fire rated options
- maintenance free, 25 year performance guarantee
- security bolt and radius corner options available

### Technical details

Attributes	Value
Load capacity	100.0 kg
Knuckle diameter	13.0 mm
Overall length	100.0 mm
Overall width	101.6 mm
Material thickness	3.5 mm
Screws	10.0 x 32.0 mm
Amount of projection	50.0 mm

### Note

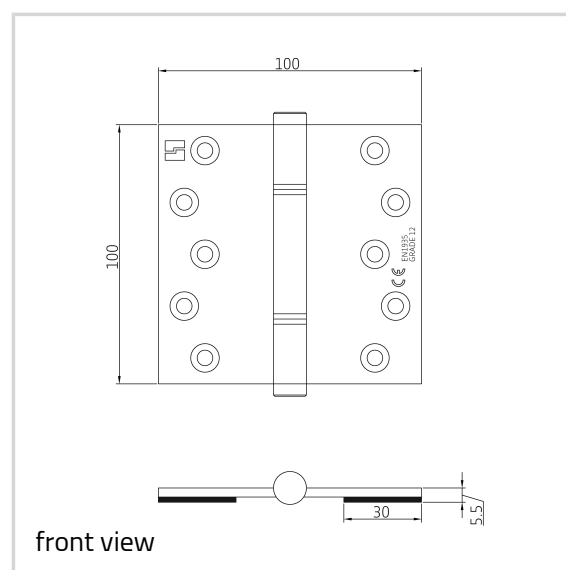
### Quality marks



### Classification key

4 7 5 1<sup>1</sup> 1 4 0 12

<sup>1</sup> Test evidence for functional doors to be achieved with full door sets and assemblies.



## SAMSON - SAMSON - Ref. P1860 CE

Supplied complete with pozi/slotted head brass woodscrew if required.

### Item

Finish(es)	Aged Brass (UK 501)
OF-NR.	UK 501
VPE	10 pcs
DIN	DIN right and left hand
Item No.	P1860 CE
Finish(es)	Antique Brass (UK 502)
OF-NR.	UK 502
VPE	10 pcs
DIN	DIN right and left hand
Item No.	P1860 CE
Finish(es)	Antique nickel (UK 503)
OF-NR.	UK 503
VPE	10 pcs
DIN	DIN right and left hand
Item No.	P1860 CE
Finish(es)	Black nickel (UK 504)
OF-NR.	UK 504
VPE	10 pcs
DIN	DIN right and left hand
Item No.	P1860 CE
Finish(es)	Copper Bronze (UK 505)
OF-NR.	UK 505
VPE	10 pcs
DIN	DIN right and left hand
Item No.	P1860 CE
Finish(es)	Copper (UK 506)
OF-NR.	UK 506
VPE	10 pcs
DIN	DIN right and left hand
Item No.	P1860 CE
Finish(es)	Honeycombe (UK 507)
OF-NR.	UK 507

**SAMSON - SAMSON - Ref. P1860 CE**

VPE	10 pcs
DIN	DIN right and left hand
Item No.	P1860 CE
Finish(es)	Imitation Bronze (UK 508)
OF-NR.	UK 508
VPE	10 pcs
DIN	DIN right and left hand
Item No.	P1860 CE
Finish(es)	Midnight (UK 509)
OF-NR.	UK 509
VPE	10 pcs
DIN	DIN right and left hand
Item No.	P1860 CE
Finish(es)	Pearl Nickel (UK 510)
OF-NR.	UK 510
VPE	10 pcs
DIN	DIN right and left hand
Item No.	P1860 CE
Finish(es)	Polished Chrome (UK 511)
OF-NR.	UK 511
VPE	10 pcs
DIN	DIN right and left hand
Item No.	P1860 CE
Finish(es)	Polished & Lacquered (UK 512)
OF-NR.	UK 512
VPE	10 pcs
DIN	DIN right and left hand
Item No.	P1860 CE
Finish(es)	Polished Nickel (UK 513)
OF-NR.	UK 513
VPE	10 pcs
DIN	DIN right and left hand
Item No.	P1860 CE
Finish(es)	Satin Brass & Lacquered (UK 514)
OF-NR.	UK 514
VPE	10 pcs

**SAMSON - SAMSON - Ref. P1860 CE**

DIN Item No.	DIN right and left hand P1860 CE
Finish(es) OF-NR. VPE DIN Item No.	Satin Chrome (UK 515) UK 515 10 pcs DIN right and left hand P1860 CE
Finish(es) OF-NR. VPE DIN Item No.	Satin nickel (UK 516) UK 516 10 pcs DIN right and left hand P1860 CE
Finish(es) OF-NR. VPE DIN Item No.	PVD Brass (UK 517) UK 517 10 pcs DIN right and left hand P1860 CE
Finish(es) OF-NR. VPE DIN Item No.	PVD Copper rose (UK 518) UK 518 10 pcs DIN right and left hand P1860 CE
Finish(es) OF-NR. VPE DIN Item No.	PVD Matt black (UK 519) UK 519 10 pcs DIN right and left hand P1860 CE
Finish(es) OF-NR. VPE DIN Item No.	PVD Rainbow (UK 520) UK 520 10 pcs DIN right and left hand P1860 CE
Finish(es) OF-NR. VPE DIN Item No.	PVD Stainless steel effect (UK 521) UK 521 10 pcs DIN right and left hand P1860 CE

