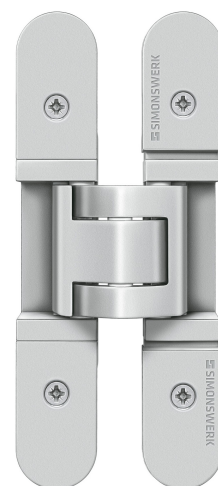


TE 527 3D

made of solid steel for unrebated heavy-duty doors



Product features

- material steel
- completely concealed hinge system
- for timber, steel or aluminium frames
- for unrebated heavy-duty doors
- 3D adjustment (side +/- 3,0 mm, height +/- 3,0 mm, compression +/- 1,0 mm)
- maintenance-free slide bearings

Technical details

| Attributes | Value |
|----------------------|----------|
| Load capacity | 120.0 kg |
| Overall length | 155.0 mm |
| Width (door part) | 26.0 mm |
| Width (frame part) | 26.0 mm |
| Cutter diameter | 24.0 mm |
| Collar ring diameter | 30.0 mm |
| Opening angle | 180° |

Note

Quality marks



Certification CE



Certification UL



Certification Certifire

Classification key

| | | | | | | | |
|---|---|---|-----------------|---|-----------------|---|----|
| 4 | 7 | 6 | 1 ⁻¹ | 1 | — ⁻² | 0 | 13 |
|---|---|---|-----------------|---|-----------------|---|----|

^{*1} Test evidence for functional doors to be achieved with full door sets and assemblies.

^{*2} depending on the finish

TECTUS - TE 527 3D

The load capacity mentioned above refers to the use of 2 hinges per door leaf (1 x 2 m), for detailed information please look at the chapter "technical information".

With an opening position of 180° the door may have to be fixed additionally.

Suitable for

Universal milling frame
 Drilling jig TECTUS TE 526/527 3D block frame and blind frame
 Template 5 250547 6 frame / door

Combinations

TE 526/527 3D FZ
 TE 526/527 3D SZ
 TE 526/527 3D ST
 Intumescent Kit - Ref. 8820

Function range



Burglar resistance



Fire resistance



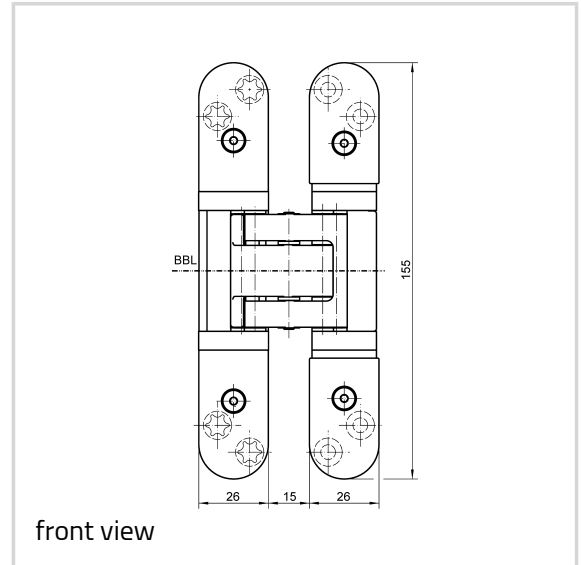
Smoke resistance



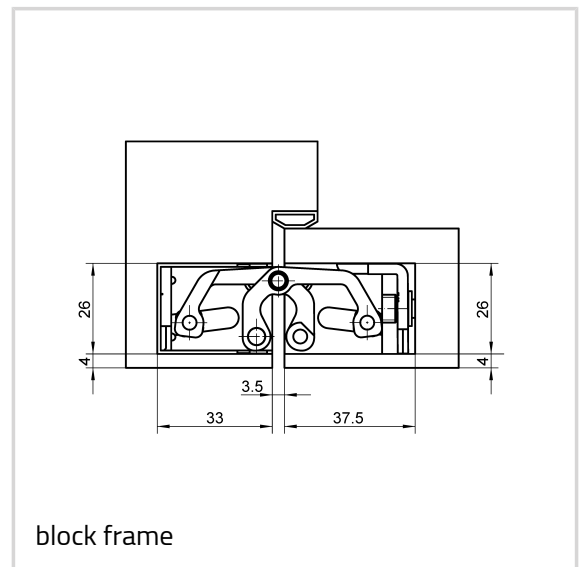
Soundproof

Item

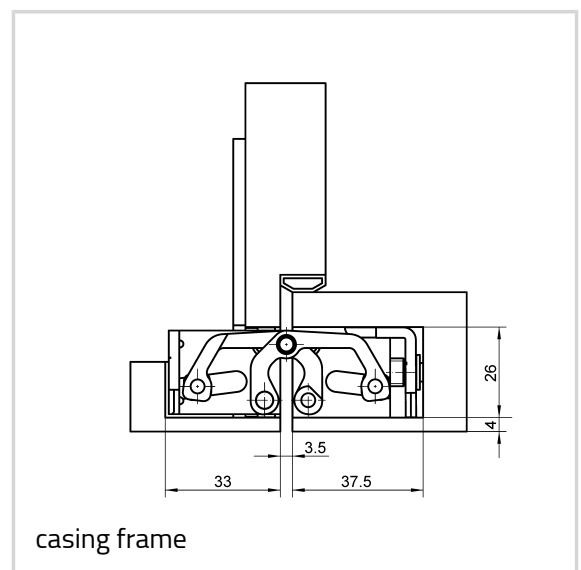
| | |
|------------|----------------------------------|
| Finish(es) | Stainless Steel Look (SSL) (126) |
| OF-NR. | 126 |
| VPE | Pack of 2 |
| DIN | DIN right and left hand |
| Item No. | 5 400562 0 12602 |
| EAN | 4015471110864 |
| Finish(es) | RAL 9005 Matte Black (107) |



front view



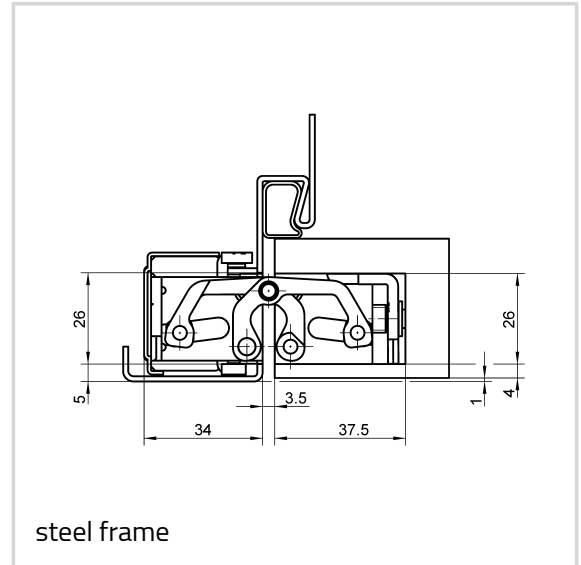
block frame



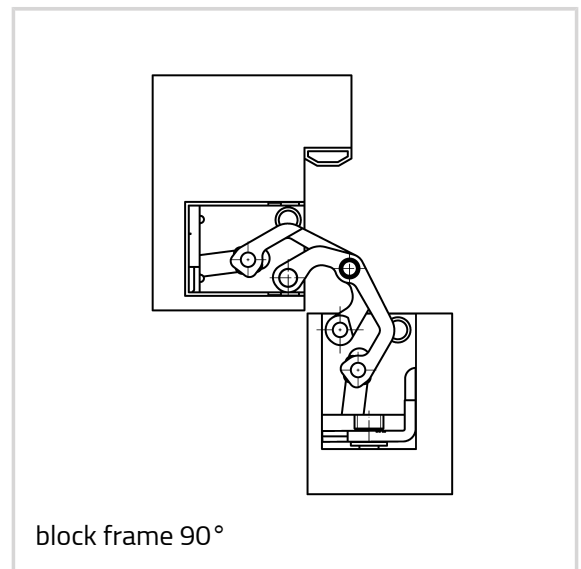
casing frame

TECTUS - TE 527 3D

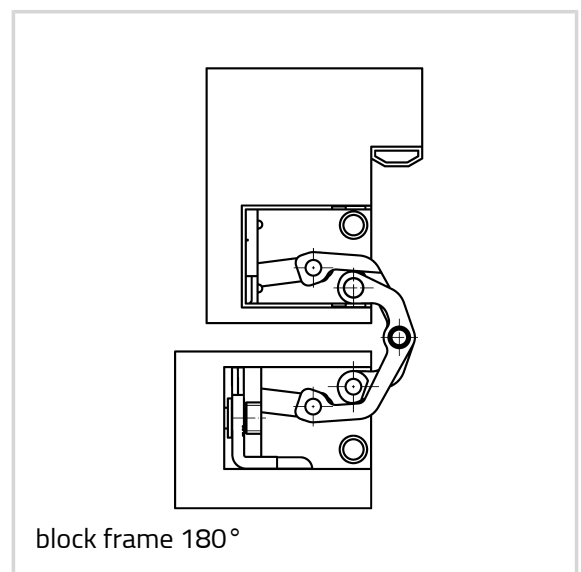
| | |
|----------|-------------------------|
| OF-NR. | 107 |
| VPE | Pack of 2 |
| DIN | DIN right and left hand |
| Item No. | 5 400562 0 10702 |
| EAN | 4015471120580 |



steel frame



block frame 90°



block frame 180°