

TE 540 3D

for unrebated heavy-duty doors



Product features

- completely concealed hinge system
- for timber, steel or aluminium frames
- for unrebated heavy-duty doors
- sideways closed hinge body for a homogeneous mortise appearance
- with comfortable 3D adjustment (side +/- 3,0 mm, height +/- 3,0 mm, compression +/- 1,0 mm)
- maintenance-free slide bearings

Technical details

Attributes	Value
Load capacity	120.0 kg
Overall length	200.0 mm
Width (door part)	32.0 mm
Width (frame part)	32.0 mm
Cutter diameter	24.0 mm
Collar ring diameter	30.0 mm
Opening angle	180°

Note

Quality marks



Certification CE



Certification IFT



Certification UL



Certification Warringtonfire

Classification key

4	7	6	1 ^{*1}	1	— ^{*2}	1	13
---	---	---	-----------------	---	-----------------	---	----

^{*1} Test evidence for functional doors to be achieved with full door sets and assemblies.

^{*2} depending on the finish

TECTUS - TE 540 3D

The load capacity mentioned above refers to the use of 2 hinges per door leaf (1 x 2 m), for detailed information please look at the chapter "technical information".

With an opening position of 180° the door may have to be fixed additionally.

Suitable for

Universal milling frame

Template 5 250680 5

step 1

Template 5 250681 5

step 2

Combinations

TE 540 3D FZ

TE 540 3D SZ

TE 540 3D ST

Function range



Burglar resistance



Fire resistance



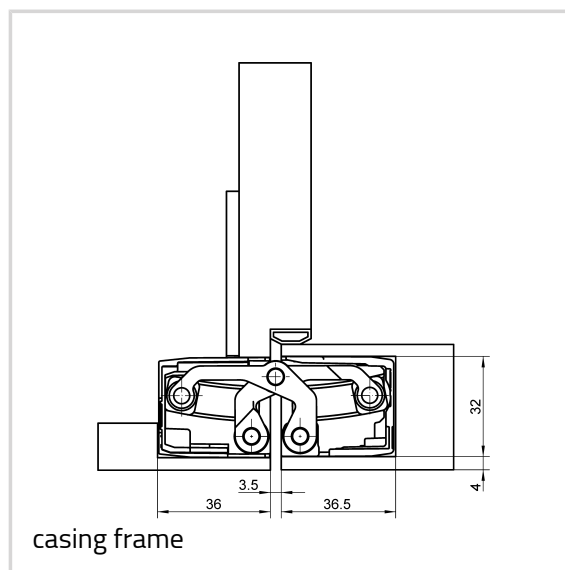
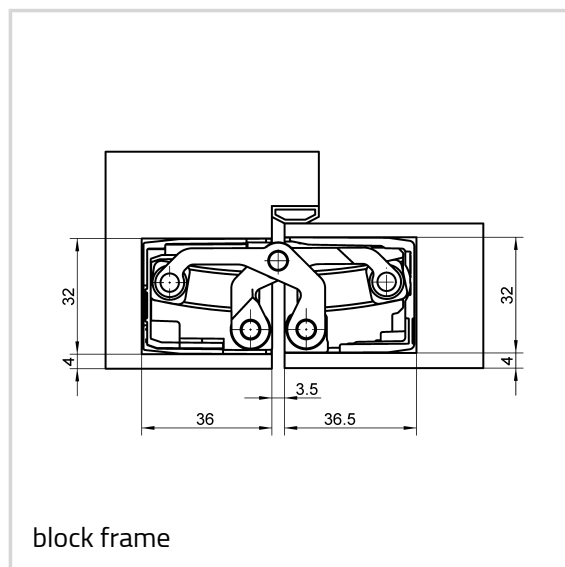
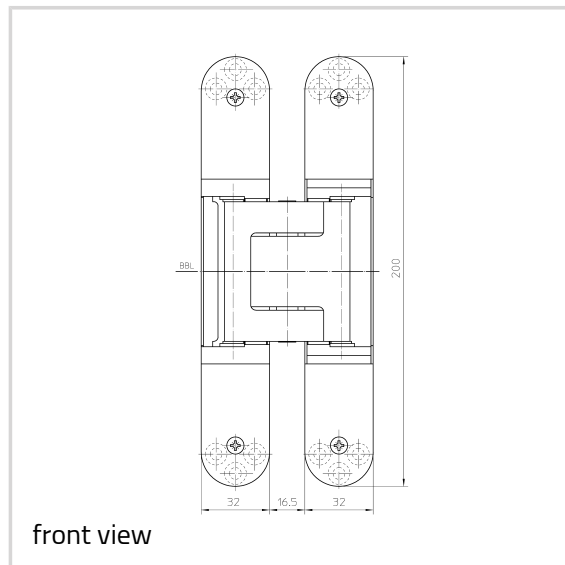
Smoke resistance



Soundproof

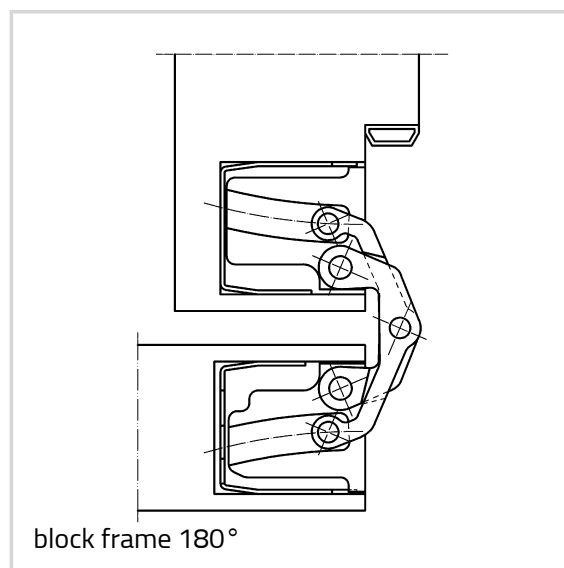
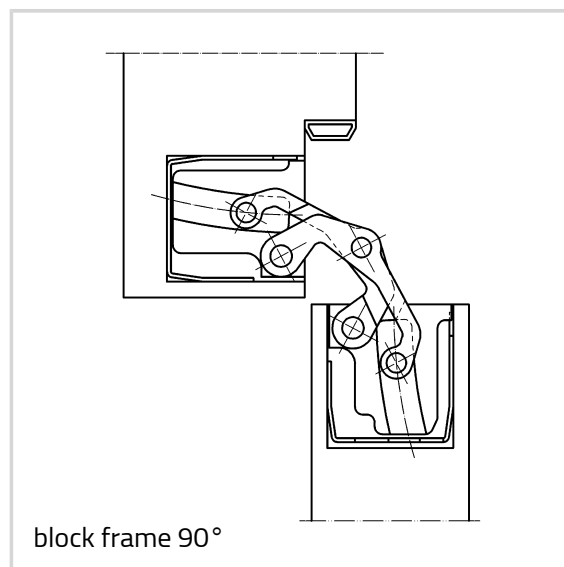
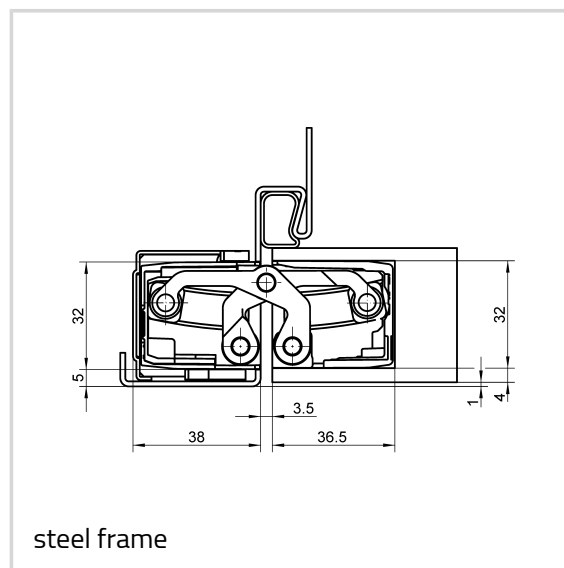
Item

Finish(es)	polished brassed (030)
OF-NR.	030
VPE	Pack of 2
DIN	DIN right and left hand
Item No.	5 400687 0 03002
EAN	4015471126162
Finish(es)	polished nickelled (038)
OF-NR.	038
VPE	Pack of 2
DIN	DIN right and left hand



TECTUS - TE 540 3D

Item No. EAN	5 400687 0 03802 4015471126179
Finish(es) OF-NR. VPE DIN Item No. EAN	satin brassed (047) 47 Pack of 2 DIN right and left hand 5 400687 0 04702 4015471131814
Finish(es) OF-NR. VPE DIN Item No. EAN	RAL 9016 Traffic White (070) 070 Pack of 2 DIN right and left hand 5 400687 0 07002 4015471126131
Finish(es) OF-NR. VPE DIN Item No. EAN	RAL 9005 Matte Black (107) 107 Pack of 2 DIN right and left hand 5 400687 0 10702 4015471126094
Finish(es) OF-NR. VPE DIN Item No. EAN	Satin Chrome Look (F1) (124) 124 Pack of 2 DIN right and left hand 5 400687 0 12402 4015471125554
Finish(es) OF-NR. VPE DIN Item No. EAN	Satin Nickel Look (F2) (125) 125 Pack of 2 DIN right and left hand 5 400687 0 12502 4015471126070
Finish(es) OF-NR. VPE	Stainless Steel Look (SSL) (126) 126 Pack of 2



TECTUS - TE 540 3D

DIN	DIN right and left hand
Item No.	5 400687 0 12602
EAN	4015471126209
Finish(es)	Satin Nickel (144)
OF-NR.	144
VPE	Pack of 2
DIN	DIN right and left hand
Item No.	5 400687 0 14402
EAN	4015471126254
Finish(es)	Satin Chrome (146)
OF-NR.	146
VPE	Pack of 2
DIN	DIN right and left hand
Item No.	5 400687 0 14602
EAN	4015471126261
Finish(es)	Rustic Umber (156)
OF-NR.	156
VPE	Pack of 2
DIN	DIN right and left hand
Item No.	5 400687 0 15602
EAN	4015471126148
Finish(es)	Bronze Metallic (168)
OF-NR.	168
VPE	Pack of 2
DIN	DIN right and left hand
Item No.	5 400687 0 16802
EAN	4015471126155
Finish(es)	Bronze Finish (174)
OF-NR.	174
VPE	Pack of 2
DIN	DIN right and left hand
Item No.	5 400687 0 17402
EAN	4015471126223
Finish(es)	Bronze Finish light (175)
OF-NR.	175
VPE	Pack of 2
DIN	DIN right and left hand
Item No.	5 400687 0 17502

TECTUS - TE 540 3D

EAN	4015471126230
Finish(es)	Bronze Finish dark (176)
OF-NR.	176
VPE	Pack of 2
DIN	DIN right and left hand
Item No.	5 400687 0 17602
EAN	4015471126247
Finish(es)	coloured (079)
OF-NR.	079
VPE	EUR-pallet
DIN	DIN right and left hand
Item No.	5 400687 0 07975
EAN	4015471126124