

## TE 540 3D FR

with integrated intumescent kit for unrebated heavy-duty doors



### Product features

- with integrated intumescent kit
- completely concealed hinge system
- for timber, steel or aluminium frames
- for unrebated heavy-duty doors
- sideways closed hinge body for a homogeneous mortise appearance
- with comfortable 3D adjustment (side +/- 3,0 mm, height +/- 3,0 mm, compression +/- 1,0 mm)
- maintenance-free slide bearings

### Technical details

| Attributes           | Value    |
|----------------------|----------|
| Load capacity        | 120.0 kg |
| Overall length       | 200.0 mm |
| Width (door part)    | 32.0 mm  |
| Width (frame part)   | 32.0 mm  |
| Cutter diameter      | 24.0 mm  |
| Collar ring diameter | 30.0 mm  |
| Opening angle        | 180°     |

### Quality marks



Certification CE



Certification IFT

ZERTIFIZIERT

warringtonfire

Certification Warringtonfire

certifire

Certification Certifire

### Classification key

|   |   |   |                 |   |                 |   |    |
|---|---|---|-----------------|---|-----------------|---|----|
| 4 | 7 | 6 | 1 <sup>*1</sup> | 1 | — <sup>*2</sup> | 1 | 13 |
|---|---|---|-----------------|---|-----------------|---|----|

<sup>\*1</sup> Test evidence for functional doors to be achieved with full door sets and assemblies.

<sup>\*2</sup> depending on the finish

## TECTUS - TE 540 3D FR

### Note

The load capacity mentioned above refers to the use of 2 hinges per door leaf (1 x 2 m), for detailed information please look at the chapter "technical information".

With an opening position of 180° the door may have to be fixed additionally.

### Suitable for

Universal milling frame

Template 5 250680 5

step 1

Template 5 250681 5

step 2

### Combinations

TE 540 3D FZ

TE 540 3D SZ

TE 540 3D ST

### Function range



Burglar resistance



Fire resistance



Smoke resistance

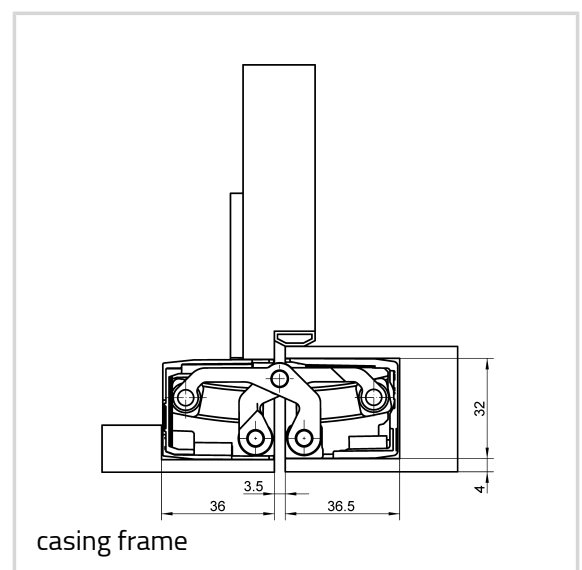
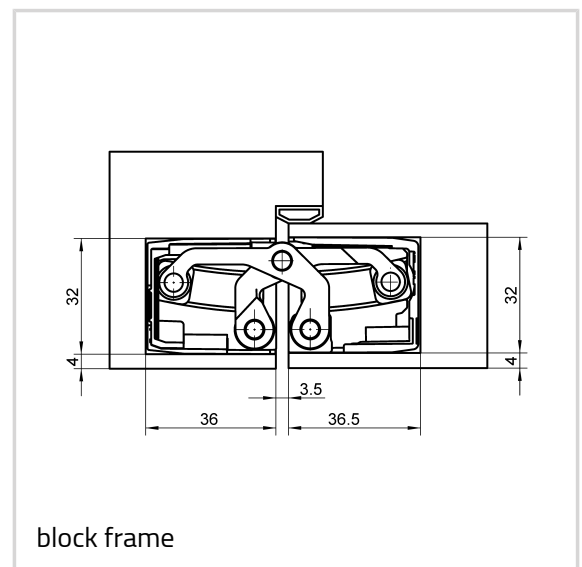
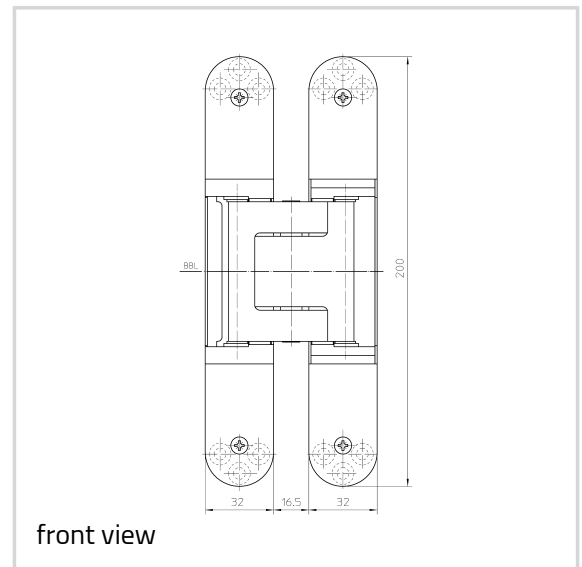


Soundproof

### Item

|            |                              |
|------------|------------------------------|
| Finish(es) | Satin Chrome Look (F1) (124) |
| OF-NR.     | 124                          |
| VPE        | Pack of 2                    |
| DIN        | DIN right and left hand      |
| Item No.   | 5 400691 0 12402             |
| EAN        | 4015471126117                |

|            |                            |
|------------|----------------------------|
| Finish(es) | Stainless Steel Look (SSL) |
|------------|----------------------------|



**TECTUS - TE 540 3D FR**

|          |                         |
|----------|-------------------------|
|          | (126)                   |
| OF-NR.   | 126                     |
| VPE      | Pack of 2               |
| DIN      | DIN right and left hand |
| Item No. | 5 400691 0 12602        |
| EAN      | 4015471126216           |

|            |                            |
|------------|----------------------------|
| Finish(es) | RAL 9005 Matte Black (107) |
| OF-NR.     | 107                        |
| VPE        | Pack of 2                  |
| DIN        | DIN right and left hand    |
| Item No.   | 5 400691 0 10702           |
| EAN        | 4015471136833              |

