

Brass Hinge - Ref. P1060

Suitable for light weight flush doors and french windows

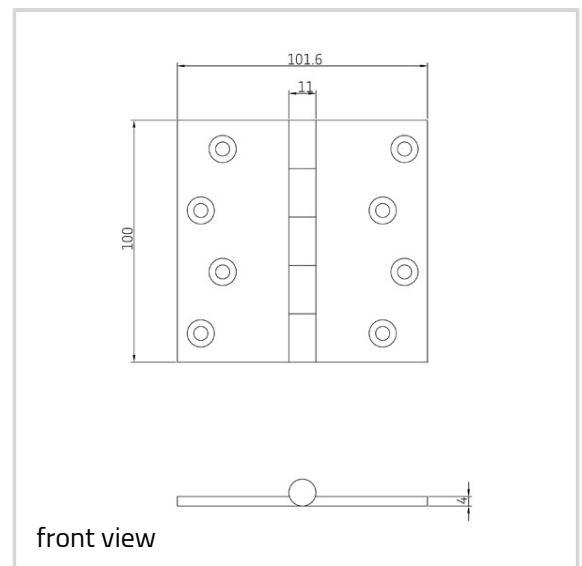


Product features

- Solid brass plain unwashed projection hinge
- brass pin
- 10 year performance guarantee
- suitable for lightweight flush doors and windows

Technical data

Property	Value
Load capacity	20.0 kg
Knuckle Diameter	11.0 mm
Overall length	100.0 mm
Overall width	101.6 mm
Material thickness	4.0 mm
Screw	12.0 x 32.0 mm
Amount of projections	50.0 mm



Notes

Supplied complete with pozi/slotted head brass woodscrew if required.

Brass Hinges - Brass Hinge - Ref. P1060

Item versions

Finish	Aged Brass (UK 501)
OF-No.	UK 501
VPE	10 pcs
DIN	DIN right and left hand
Article number	P1060
Finish	Antique Brass (UK 502)
OF-No.	UK 502
VPE	10 pcs
DIN	DIN right and left hand
Article number	P1060
Finish	Antique nickel (UK 503)
OF-No.	UK 503
VPE	10 pcs
DIN	DIN right and left hand
Article number	P1060
Finish	Copper Bronze (UK 505)
OF-No.	UK 505
VPE	10 pcs
DIN	DIN right and left hand
Article number	P1060
Finish	Copper (UK 506)
OF-No.	UK 506
VPE	10 pcs
DIN	DIN right and left hand
Article number	P1060
Finish	Honeycombe (UK 507)
OF-No.	UK 507
VPE	10 pcs
DIN	DIN right and left hand
Article number	P1060
Finish	Imitation Bronze (UK 508)
OF-No.	UK 508
VPE	10 pcs
DIN	DIN right and left hand

Brass Hinges - Brass Hinge - Ref. P1060

Article number	P1060
Finish	Midnight (UK 509)
OF-No.	UK 509
VPE	10 pcs
DIN	DIN right and left hand
Article number	P1060
Finish	Pearl Nickel (UK 510)
OF-No.	UK 510
VPE	10 pcs
DIN	DIN right and left hand
Article number	P1060
Finish	Polished Chrome (UK 511)
OF-No.	UK 511
VPE	10 pcs
DIN	DIN right and left hand
Article number	P1060
Finish	Polished & Lacquered (UK 512)
OF-No.	UK 512
VPE	10 pcs
DIN	DIN right and left hand
Article number	P1060
Finish	Polished Nickel (UK 513)
OF-No.	UK 513
VPE	10 pcs
DIN	DIN right and left hand
Article number	P1060
Finish	Satin Brass & Lacquered (UK 514)
OF-No.	UK 514
VPE	10 pcs
DIN	DIN right and left hand
Article number	P1060
Finish	Satin Chrome (UK 515)
OF-No.	UK 515
VPE	10 pcs
DIN	DIN right and left hand
Article number	P1060

Brass Hinges - Brass Hinge - Ref. P1060

Finish	Satin nickel (UK 516)
OF-No.	UK 516
VPE	10 pcs
DIN	DIN right and left hand
Article number	P1060