

Brass Hinge - Ref. 1510

Suitable for medium to heavy weight flush doors

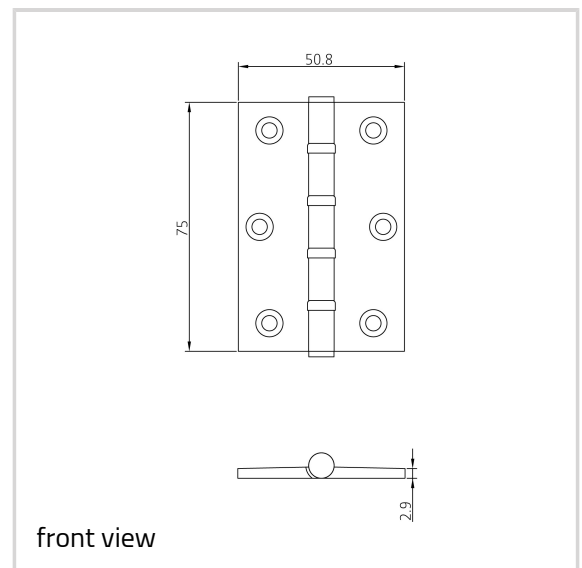


Product features

- brass ball races running in hardened steel cups
- stainless steel pin
- brass Button Tip ends
- 10 year performance guarantee
- suitable for medium to heavy weight flush doors
- security bolt and radius corner options available

Technical data

Property	Value
Load capacity	40.0 kg
Knuckle Diameter	7.8 mm
Overall length	75.0 mm
Overall width	50.8 mm
Material thickness	2.9 mm
Screw	8.0 x 25.4 mm



Notes

Supplied complete with pozi/slotted head brass woodscrew if required.

Brass Hinges - Brass Hinge - Ref. 1510

Item versions

Finish	Aged Brass (UK 501)
OF-No.	UK 501
VPE	20 pcs
DIN	DIN right and left hand
Article number	1510
Finish	Antique Brass (UK 502)
OF-No.	UK 502
VPE	20 pcs
DIN	DIN right and left hand
Article number	1510
Finish	Antique nickel (UK 503)
OF-No.	UK 503
VPE	20 pcs
DIN	DIN right and left hand
Article number	1510
Finish	Copper Bronze (UK 505)
OF-No.	UK 505
VPE	20 pcs
DIN	DIN right and left hand
Article number	1510
Finish	Copper (UK 506)
OF-No.	UK 506
VPE	20 pcs
DIN	DIN right and left hand
Article number	1510
Finish	Honeycombe (UK 507)
OF-No.	UK 507
VPE	20 pcs
DIN	DIN right and left hand
Article number	1510
Finish	Imitation Bronze (UK 508)
OF-No.	UK 508
VPE	20 pcs
DIN	DIN right and left hand

Brass Hinges - Brass Hinge - Ref. 1510

Article number	1510
Finish	Midnight (UK 509)
OF-No.	UK 509
VPE	20 pcs
DIN	DIN right and left hand
Article number	1510
Finish	Pearl Nickel (UK 510)
OF-No.	UK 510
VPE	20 pcs
DIN	DIN right and left hand
Article number	1510
Finish	Polished Chrome (UK 511)
OF-No.	UK 511
VPE	20 pcs
DIN	DIN right and left hand
Article number	1510
Finish	Polished & Lacquered (UK 512)
OF-No.	UK 512
VPE	20 pcs
DIN	DIN right and left hand
Article number	1510
Finish	Polished Nickel (UK 513)
OF-No.	UK 513
VPE	20 pcs
DIN	DIN right and left hand
Article number	1510
Finish	Satin Brass & Lacquered (UK 514)
OF-No.	UK 514
VPE	20 pcs
DIN	DIN right and left hand
Article number	1510
Finish	Satin Chrome (UK 515)
OF-No.	UK 515
VPE	20 pcs
DIN	DIN right and left hand
Article number	1510

Brass Hinges - Brass Hinge - Ref. 1510

Finish	Satin nickel (UK 516)
OF-No.	UK 516
VPE	20 pcs
DIN	DIN right and left hand
Article number	1510