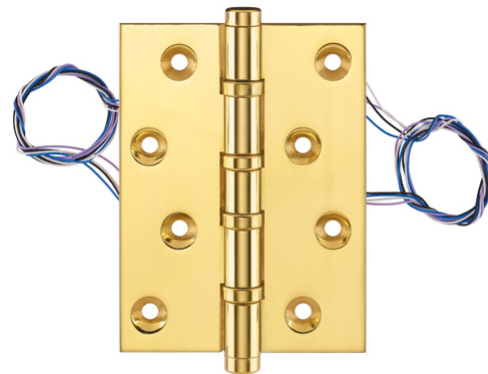


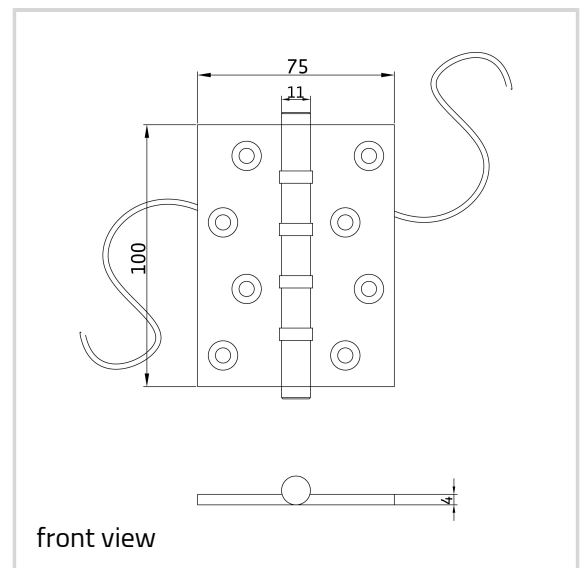
Brass Hinge - Ref. 1550 C2

Suitable for medium to heavy weight flush doors



Product features

- brass ball races running in hardened steel cups
- stainless steel pin
- brass Button Tip ends
- 10 year performance guarantee
- suitable for medium to heavy weight flush doors
- hidden transfer of wires from door to frame eliminates the need for an armoured loop
- capacity 2 wire 24V 5 Amps
- 2, 4, 6 or 8 wire options
- security bolt and radius corner options available



Technical data

Property	Value
Load capacity	80.0 kg
Knuckle Diameter	11.0 mm
Overall length	100.0 mm
Overall width	75.0 mm
Material thickness	4.0 mm
Screw	10.0 x 32.0 mm

Brass Hinges - Brass Hinge - Ref. 1550 C2

Notes

Supplied complete with pozi/slotted head brass woodscrew if required.

Item versions

Finish	Aged Brass (UK 501)
OF-No.	UK 501
VPE	10 pcs
DIN	DIN right and left hand
Article number	1550 C2
Finish	Antique Brass (UK 502)
OF-No.	UK 502
VPE	10 pcs
DIN	DIN right and left hand
Article number	1550 C2
Finish	Antique nickel (UK 503)
OF-No.	UK 503
VPE	10 pcs
DIN	DIN right and left hand
Article number	1550 C2
Finish	Copper Bronze (UK 505)
OF-No.	UK 505
VPE	10 pcs
DIN	DIN right and left hand
Article number	1550 C2
Finish	Copper (UK 506)
OF-No.	UK 506
VPE	10 pcs
DIN	DIN right and left hand
Article number	1550 C2
Finish	Honeycombe (UK 507)
OF-No.	UK 507
VPE	10 pcs
DIN	DIN right and left hand
Article number	1550 C2

Brass Hinges - Brass Hinge - Ref. 1550 C2

Finish	Imitation Bronze (UK 508)
OF-No.	UK 508
VPE	10 pcs
DIN	DIN right and left hand
Article number	1550 C2
Finish	Midnight (UK 509)
OF-No.	UK 509
VPE	10 pcs
DIN	DIN right and left hand
Article number	1550 C2
Finish	Pearl Nickel (UK 510)
OF-No.	UK 510
VPE	10 pcs
DIN	DIN right and left hand
Article number	1550 C2
Finish	Polished Chrome (UK 511)
OF-No.	UK 511
VPE	10 pcs
DIN	DIN right and left hand
Article number	1550 C2
Finish	Polished & Lacquered (UK 512)
OF-No.	UK 512
VPE	10 pcs
DIN	DIN right and left hand
Article number	1550 C2
Finish	Polished Nickel (UK 513)
OF-No.	UK 513
VPE	10 pcs
DIN	DIN right and left hand
Article number	1550 C2
Finish	Satin Brass & Lacquered (UK 514)
OF-No.	UK 514
VPE	10 pcs
DIN	DIN right and left hand
Article number	1550 C2
Finish	Satin Chrome (UK 515)

Brass Hinges - Brass Hinge - Ref. 1550 C2

OF-No.	UK 515
VPE	10 pcs
DIN	DIN right and left hand
Article number	1550 C2
Finish	Satin nickel (UK 516)
OF-No.	UK 516
VPE	10 pcs
DIN	DIN right and left hand
Article number	1550 C2