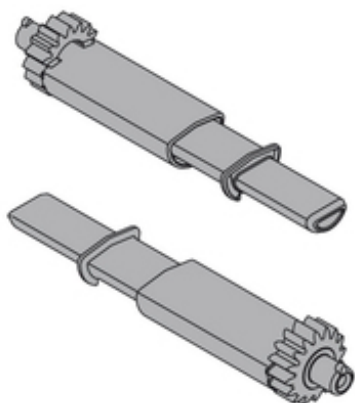


## Product details

### TIP-ON pinion (set), Connector half-round



Part number	T55.000R
Item number	08995120
Colour / finish	R7037 dust grey
Packaging quantity	1 / 40
Weight per 1,000 Pcs in kg	12.76
EAN code	9002617778106
UPC code	

### Technical attributes

Attribute	Value
Type	TIP-ON pinion
Version	multipart
Material	Nylon
Colour / finish	RAL 7037 dust grey
Special feature	Connector half-round
Item package	2 per set (2 pinions)
packaging	industrial packing