

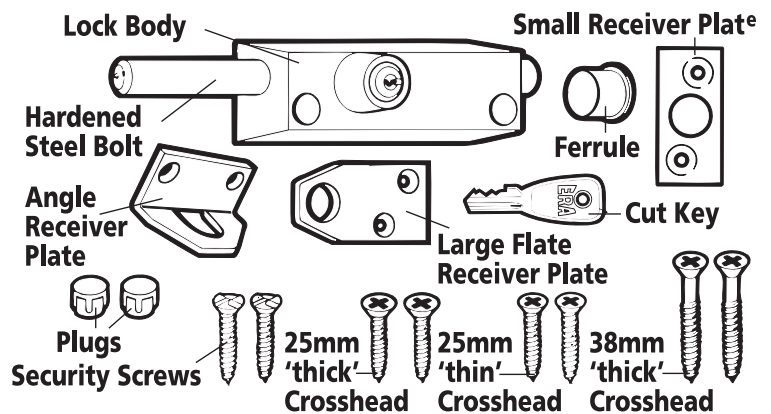


807-12 Multi Purpose Door Bolt Fitting Instructions

Installing a Multi Purpose Door Bolt

To fit a Multi Purpose Door Bolt you will require the following tools:

- Drill
- 4mm & 11mm drill bit (if fitting to aluminium doors)
- 13mm drill bit (if fitting to recessed wooden doors)
- Mallet
- Chisel
- Posidriv screwdriver
- Pencil



If fitting to hardwood, drill 2.5mm pilot holes.

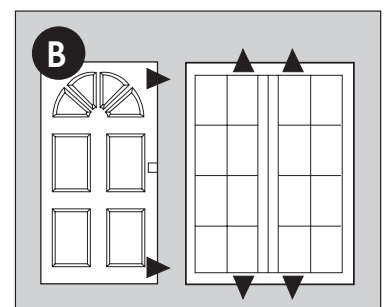
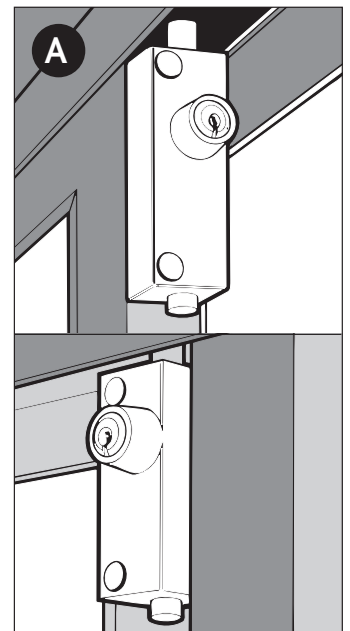
- A** Close the door and position unlocked Multi Purpose Bolt on the door. Gently tap bolt end to mark position on fixed frame. Drill an 1mm hole in fixed frame. With bolt in locked position locate lock body as high as possible on frame whilst allowing free movement of the door when unlocked. Ensuring that the bolt sits at least to the depth of groove in to drilled hole (when locked), mark screw hole positions.

CAUTION: Ensure that drill bit will not touch glass. Drill 4mm pilot holes and screw lock body to door frame with the 'thick' 25mm crosshead screws. Check operation of lock. Insert plastic plugs in lock body screw holes.

- B** **Sliding Wooden Patio Doors** - Fit as above instructions but drill 13mm hole in frame to accept ferrule which should be tapped into position or use the small receiver plate (recessing if necessary with 'thin' 25mm crosshead screws). Use the 'thick' 38mm crosshead screws to secure lock body to door frame.

- C** **Hinged Wooden Doors** - Close door and select position of Multi Purpose Bolt(s).

Recessed Doors - Hold lock body, unlocked on the door. Push bolt upwards to mark hole position on frame. Drill a 13mm hole in frame. Tap in ferrule or use small receiver with the thin 25mm crosshead screws. Hold lock body, in locked position, with bolt in hole and mark lock body hole position on door. Use 'thick' 38mm crosshead screws to secure lock body to door frame. Check operation of lock. Insert plastic plugs in lock body screw holes.





Flushed Doors - Select either the large flat or angled receiver plate as required. Hold lock body on door and line up with selected receiver plate. Mark lock body hole positions and screw to door with 'thick' 38mm crosshead screws. Position selected receiver plate on frame. Mark hole positions and screw to frame. Use 'thin' 25mm crosshead screws for large flat plate receiver plate and security screws for angled plate

Additional Information

Operation - Push bolt to lock. Turn key anti-clockwise to unlock.

Maintenance - Use moist cloth only to clean all types of finish, household abrasives and solvents may affect the surface finish.

