

## CLOSET ROD LIFT MECHANISM (SINGLE TYPE)



TAS

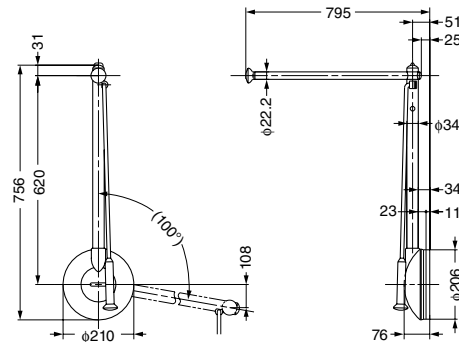
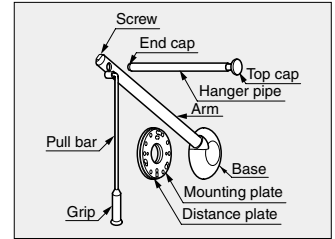


### Features

- Single-type model for installation on a side wall of a cabinet or closet.
- Both right-handed and left-handed models available.

### Parts Included

Countersunk head wood screw 4.1x32



Item Code	Item Name	Type	Material	Colour	Load Capacity		Weight	Box	Carton
110-029-228	TAS-800R-G	Right-Hand	Polystyrene (PS)/Steel	Grey	39.2 - 49 N	4 - 5 kgf	6 kg	1 set	3 sets
110-029-229	TAS-800L-G	Left-Hand	Polystyrene (PS)/Steel	Grey	39.2 - 49 N	4 - 5 kgf	6 kg	1 set	3 sets
110-029-230	TAS-800R-U	Right-Hand	Polystyrene (PS)/Steel	Umber	39.2 - 49 N	4 - 5 kgf	6 kg	1 set	3 sets
110-029-231	TAS-800L-U	Left-Hand	Polystyrene (PS)/Steel	Umber	39.2 - 49 N	4 - 5 kgf	6 kg	1 set	3 sets

WARDROBE & CABINET DOOR HARDWARE

## CLOSET ROD LIFT MECHANISM (DOUBLE TYPE)



TAW



### Features

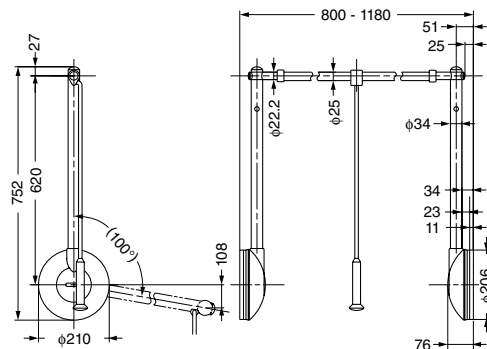
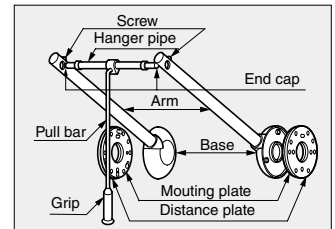
- Double-type model for installation on side walls of a cabinet or closet, using it in full width.
- Easy adjustment of rod length in just one step.

### Remarks

Not possible to cut the hanger pipe.

### Parts Included

Countersunk head wood screw 4.1x32



Item Code	Item Name	Material	Colour	Load Capacity		Weight	Box	Carton
110-029-001	TAW-1200-G	Polystyrene (PS)/Steel	Grey	68.6 - 78.4 N	7 - 8 kgf	11 kg	1 set	2 sets
110-029-000	TAW-1200-U	Polystyrene (PS)/Steel	Umber	68.6 - 78.4 N	7 - 8 kgf	11 kg	1 set	2 sets

TALLMAN CLOSET ROD LIFT MECHANISM