

EXTENSION HANGER



UH

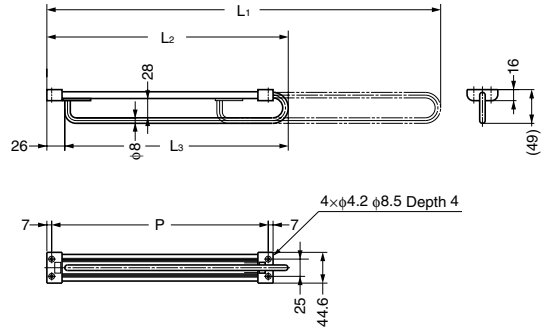


Features

Space-saving, undermount design for narrow spaces.

Parts Included

Tapping screw 4x25 (SUS)



| Part Name | Material | Finish/Colour |
|--------------|--------------------------|---------------|
| End Cap | Polyamide (PA) | Black |
| Guide Block | Polyethylene (PE) | Black |
| Hanger Rod | Stainless Steel (SUS304) | Satin |
| Rod Retainer | Steel | Chrome |

| Item Code | Item Name | L ₁ | L ₂ | L ₃ | P | Load Capacity | | Weight | Box | Carton |
|-------------|-----------|----------------|----------------|----------------|-----|---------------|-------|--------|-------|--------|
| 110-021-045 | UH-300 | 491 | 300 | 274 | 264 | 29.4 N | 3 kgf | 365 g | 5 pcs | 30 pcs |
| 110-021-046 | UH-350 | 571 | 350 | 324 | 314 | 29.4 N | 3 kgf | 440 g | 5 pcs | 30 pcs |
| 110-021-047 | UH-400 | 636 | 400 | 374 | 364 | 29.4 N | 3 kgf | 505 g | 5 pcs | 30 pcs |
| 110-021-048 | UH-450 | 721 | 450 | 424 | 414 | 29.4 N | 3 kgf | 570 g | 5 pcs | 30 pcs |

EXTENSION HANGER



TE700, TE800



Features

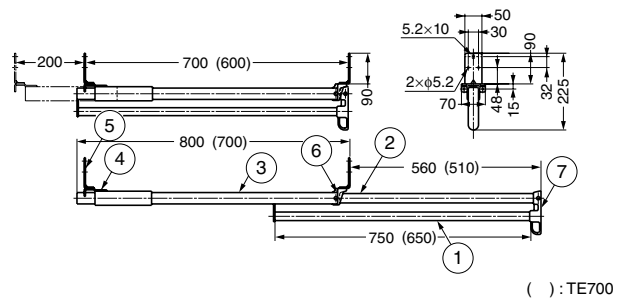
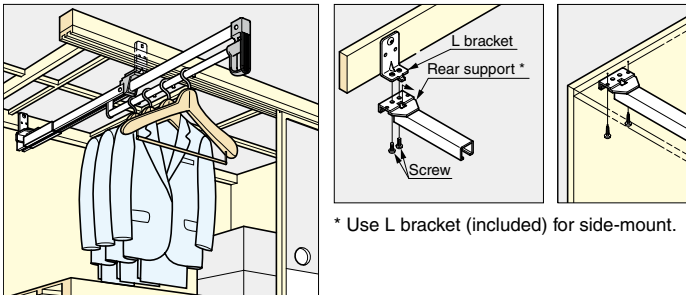
- Space-saving, undermount design for narrow, deep spaces.
- Ideal for wardrobe and large storage furniture which have a deep depth.
- 200 mm rear support can be adjusted for shorter/longer spaces.

Remarks

Cabinet depth : TE700 (Min. 700 mm), TE800 (Min. 800 mm).

Parts Included

Round head wood screws 4.5x20



| No. | Part Name | Material | Finish/Colour |
|-----|--------------|----------|---------------|
| ① | Hanger Pipe | Steel | Chrome |
| ② | Sliding Rail | Steel | Chrome |
| ③ | Fix Rail | Steel | Metalic Brown |
| ④ | Rear Support | Steel | Metalic Brown |
| ⑤ | L Bracket | Steel | Metalic Brown |
| ⑥ | Guide Cap | Plastic | Black |
| ⑦ | Knob | Plastic | Black |

| Item Code | Item Name | Length | Travel Length | Depth Dimension | Load Capacity | | Weight | Box | Carton |
|-------------|-----------|--------|---------------|-----------------|---------------|--------|--------|------|--------|
| 110-020-147 | TE-700 | 700 | 520 | 600 - 800 | 196 N | 20 kgf | 2.4 kg | 1 pc | 6 pcs |
| 110-020-148 | TE-800 | 800 | 570 | 700 - 900 | 196 N | 20 kgf | 2.7 kg | 1 pc | 6 pcs |